

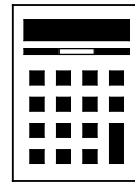
AQA **Surname** _____**Other Names** _____**Centre Number** _____**Candidate Number** _____**Candidate Signature** _____**GCSE****MATHEMATICS****H****Higher Tier Paper 3 Calculator****8300/3H****Monday 12 November 2018 Morning****Time allowed: 1 hour 30 minutes**

At the top of the page, write your surname and other names, your centre number, your candidate number and add your signature.

[Turn over]

For this paper you must have:

- **a calculator**
- **mathematical instruments.**



INSTRUCTIONS

- **Use black ink or black ball-point pen. Draw diagrams in pencil.**
- **Answer ALL questions.**
- **You must answer the questions in the spaces provided. Do not write on blank pages.**
- **Do all rough work in this book. Cross through any work you do not want to be marked.**



INFORMATION

- **The marks for questions are shown in brackets.**
- **The maximum mark for this paper is 80.**
- **You may ask for more answer paper, graph paper and tracing paper. These must be tagged securely to this answer book.**

ADVICE

In all calculations, show clearly how you work out your answer.

DO NOT TURN OVER UNTIL TOLD TO DO SO



4

Answer ALL questions in the spaces provided.

1 A shape is translated by the vector

$$\begin{pmatrix} 0 \\ 4 \end{pmatrix}$$

In which direction does the shape move?

Circle your answer. [1 mark]

up

down

left

right



5

- 2 What is 1.75 kilometres as a fraction of 700 metres?

Circle your answer. [1 mark]

$$\frac{5}{2} \qquad \frac{1}{4} \qquad \frac{4}{1} \qquad \frac{2}{5}$$

- 3 The first 4 terms of a linear sequence are

$$3 \qquad 11 \qquad 19 \qquad 27$$

Circle the expression for the n th term. [1 mark]

$$8 - 5n \qquad n + 8$$

$$8n + 3 \qquad 8n - 5$$

[Turn over]



BLANK PAGE



7

- 4 Work out the lowest common multiple (LCM) of 20, 30 and 40

Circle your answer. [1 mark]

10

120

240

24 000

- 5 The length of a table is 110 cm to the nearest cm

Complete the error interval.
[2 marks]

_____ cm \leq length $<$ _____ cm

[Turn over]

6



8

6 A music festival has taken place each year from 2011

The table shows the number of people who attended each year.

Year	2011	2012	2013	2014
Number of people	350	583	906	1471

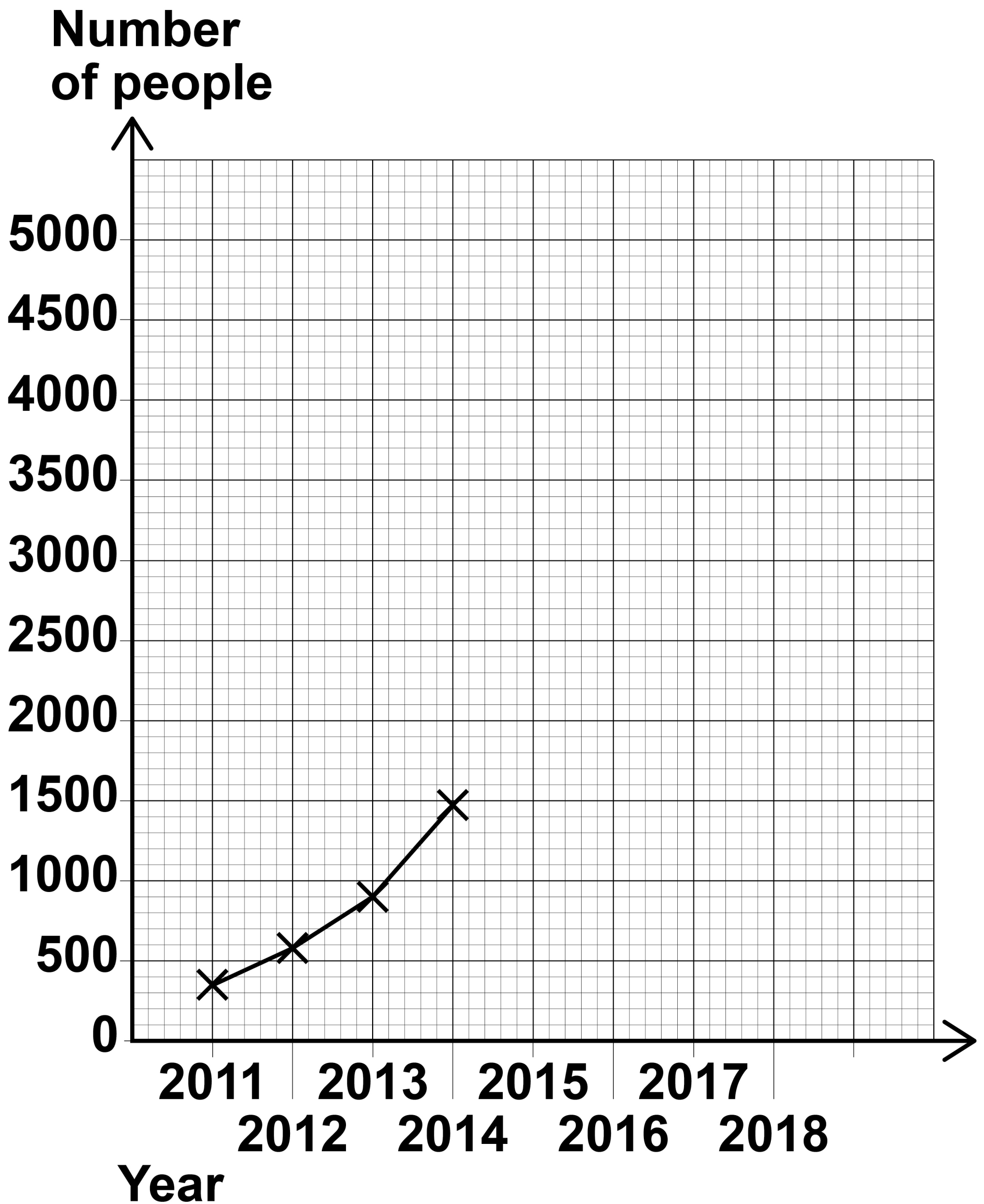
Year	2015	2016	2017	2018
Number of people	2023	2612	3251	3780

The festival organisers draw a time series graph to represent the data.

The first four years have been plotted.

**6 (a) Complete the graph on page 9.
[2 marks]**





[Turn over]



BLANK PAGE



6 (b) Use the graph to estimate the number of people who will attend the festival in 2019
[2 marks]

Answer _____

[Turn over]

4



12

$$7 \quad k = n^2 + 9n + 1$$

Mo says,

“ k will be a prime number for all integer values of n from 1 to 9”

Show that Mo is wrong.

You MUST show that your value of k is NOT prime. [3 marks]



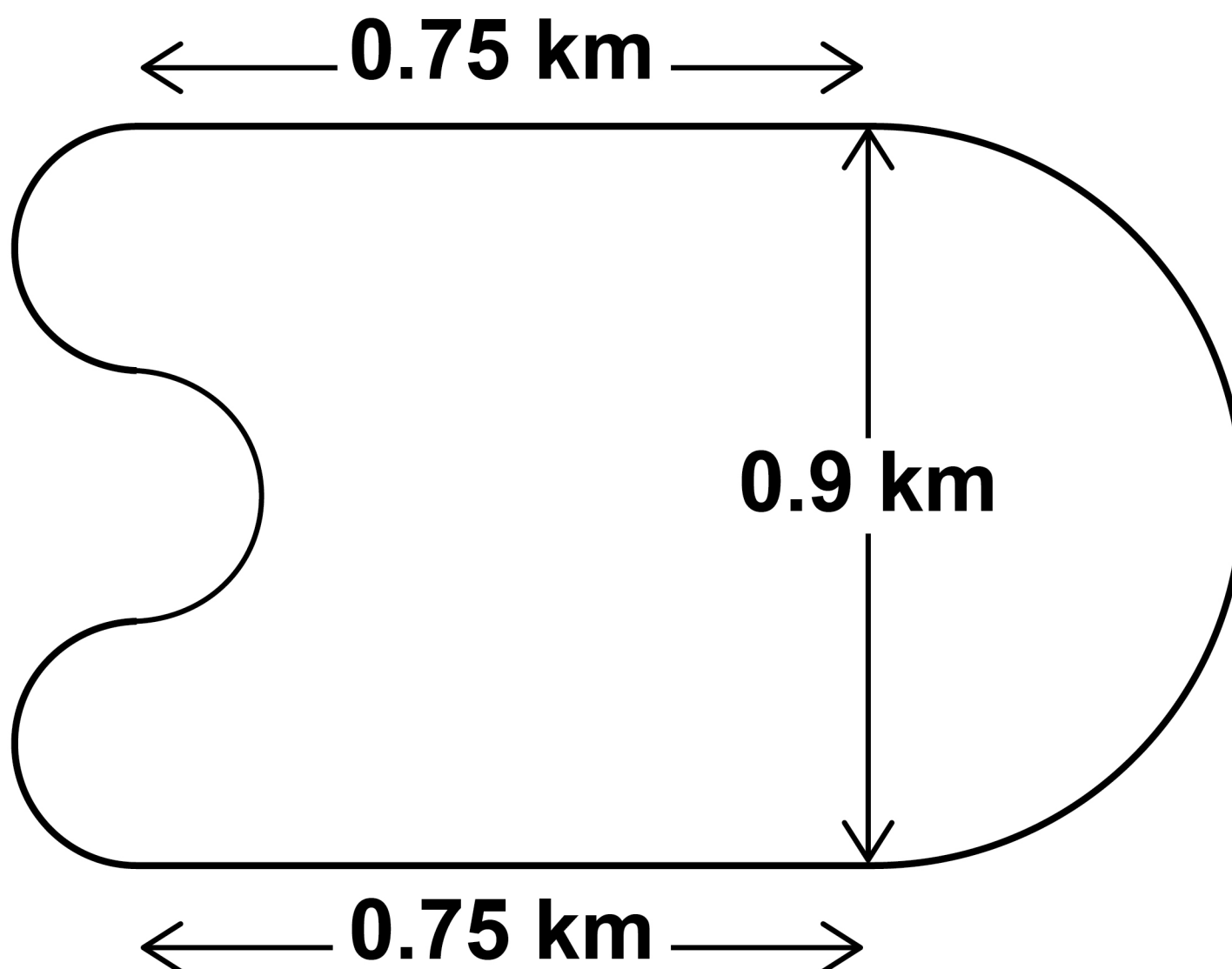
[Turn over]

[Turn over]

<hr/>
6

16

- 9 A motor racing circuit consists of two parallel straight sections, each of length 0.75 km
a semicircle of diameter 0.9 km
three equal, smaller semicircles.
The diagram is not drawn accurately.



The length of a motor race must be greater than 305 km



18

10 Solve $8 > 3 - \frac{1}{2}x$ [2 marks]

Answer _____



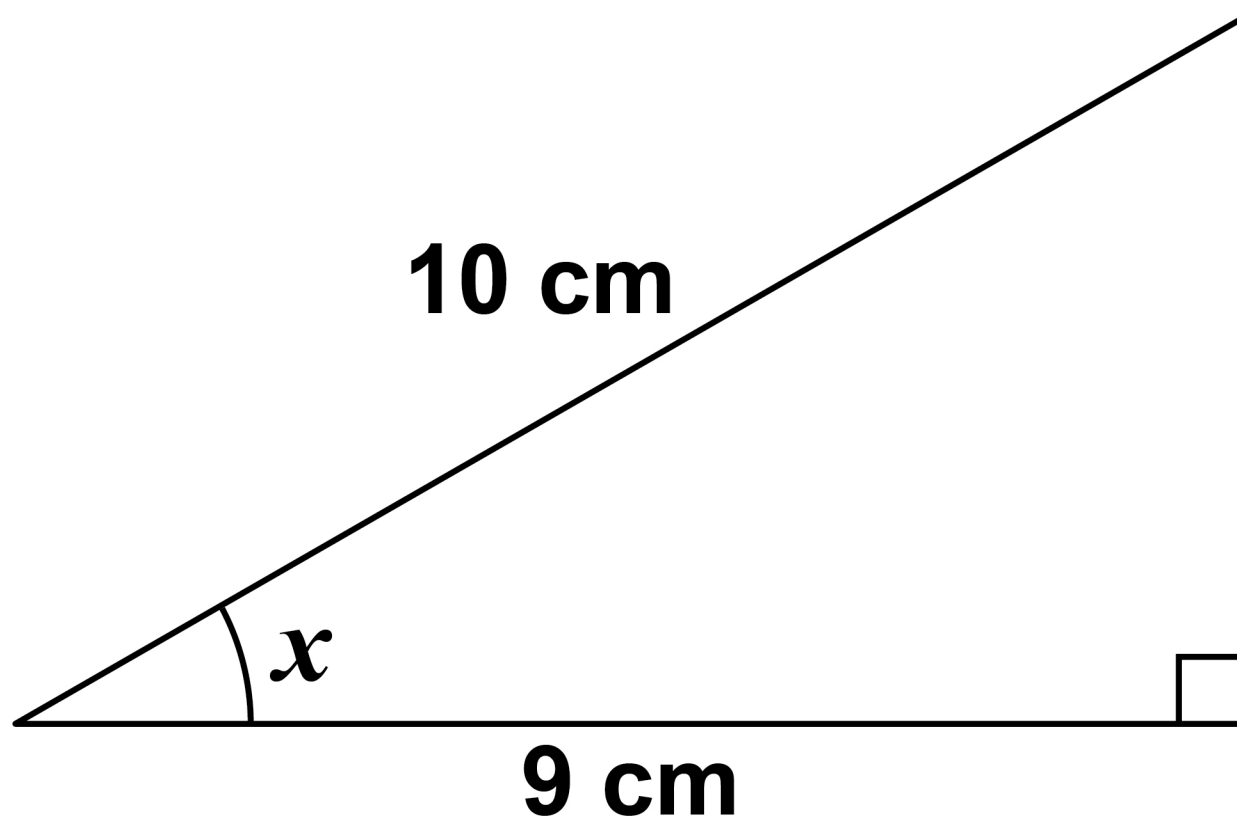
BLANK PAGE

[Turn over]



11 Use trigonometry to work out the size of angle x . [2 marks]

The diagram is not drawn accurately.



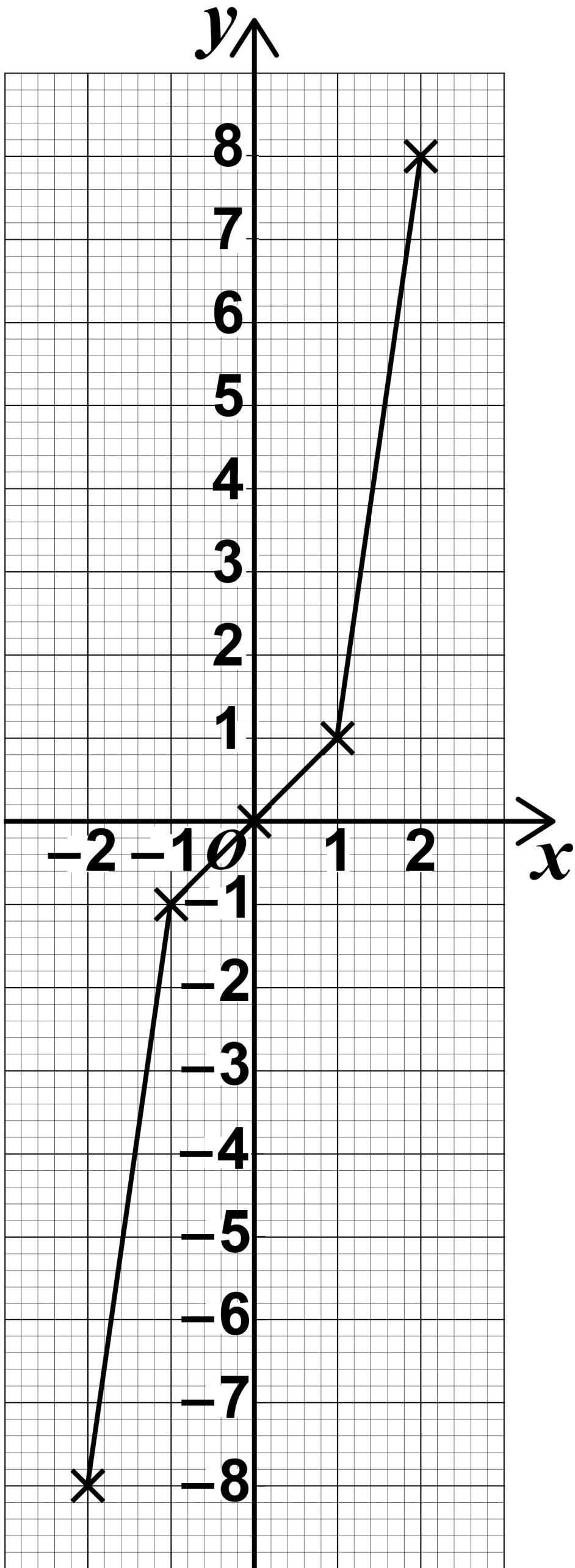
21

Answer _____ **degrees**

[Turn over]

9





**12 Lewis wants to draw the graph
 $y = x^3$ for values of x from -2 to 2**

The graph is on page 22.

**Make ONE criticism of his graph.
[1 mark]**

[Turn over]

13 The probability of Heads when a biased coin is thrown is 0.6

The coin is thrown 500 times.

Circle the expected number of Tails. [1 mark]

20

200

250

300

14 The mean mass of a squad of 19 hockey players is 82 kg

A player of mass 93 kg joins the squad.

Work out the mean mass of the squad now. [3 marks]

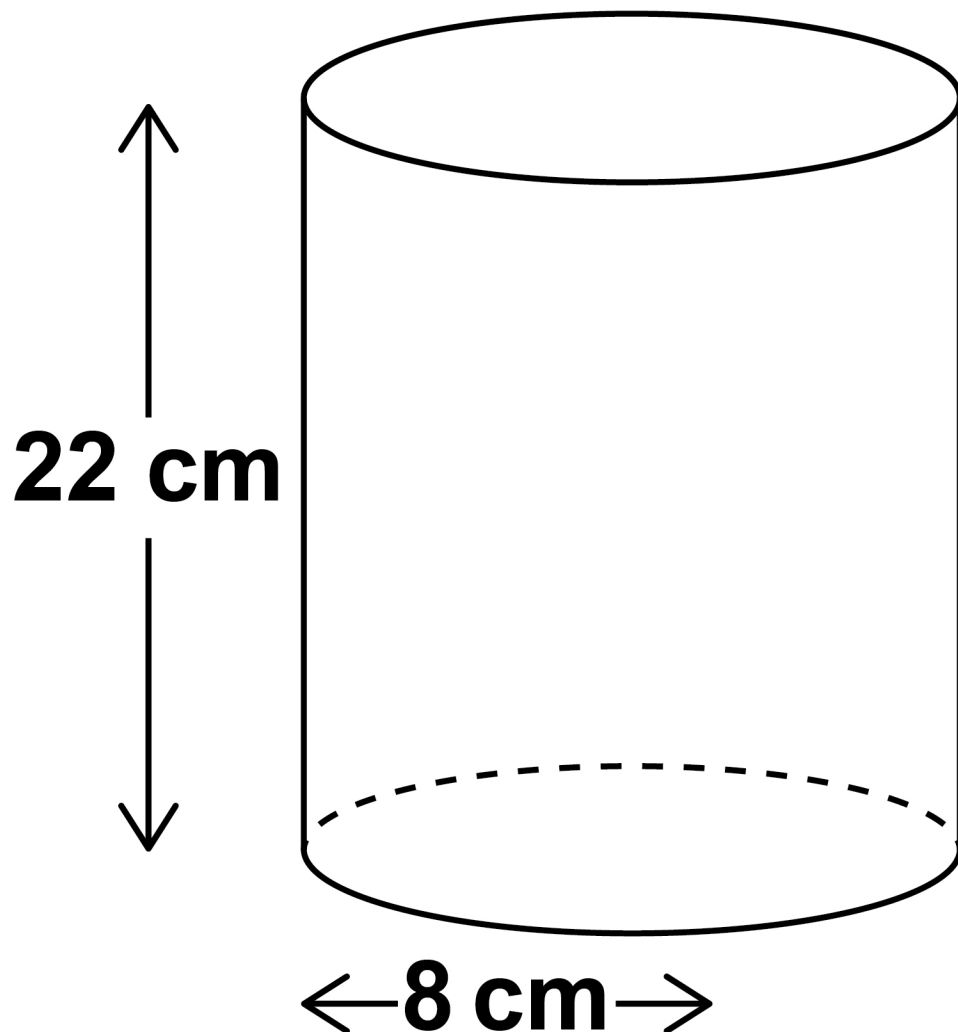


- 15 A company makes two types of lampshade using fabric on wire frames.**

LAMPSHADE A

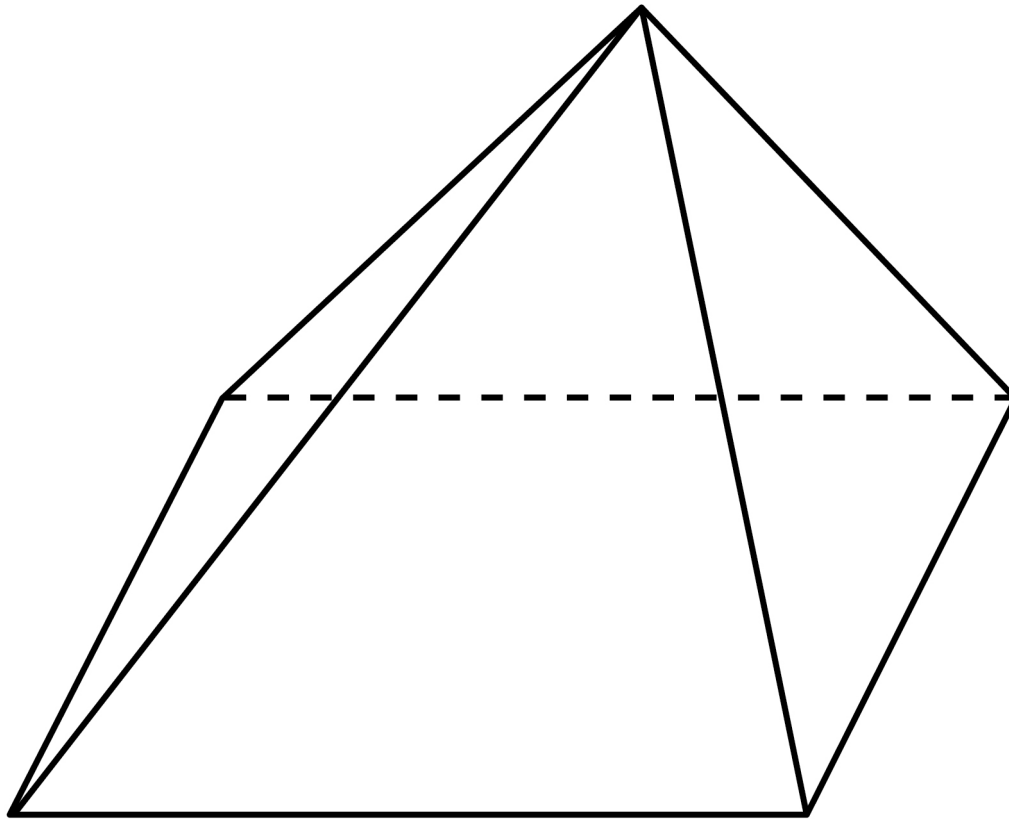
Fabric is used to make the curved surface of a cylinder.

The cylinder has radius 8 cm and height 22 cm



LAMPSHADE B

Fabric is used to make the four triangular faces of a pyramid.



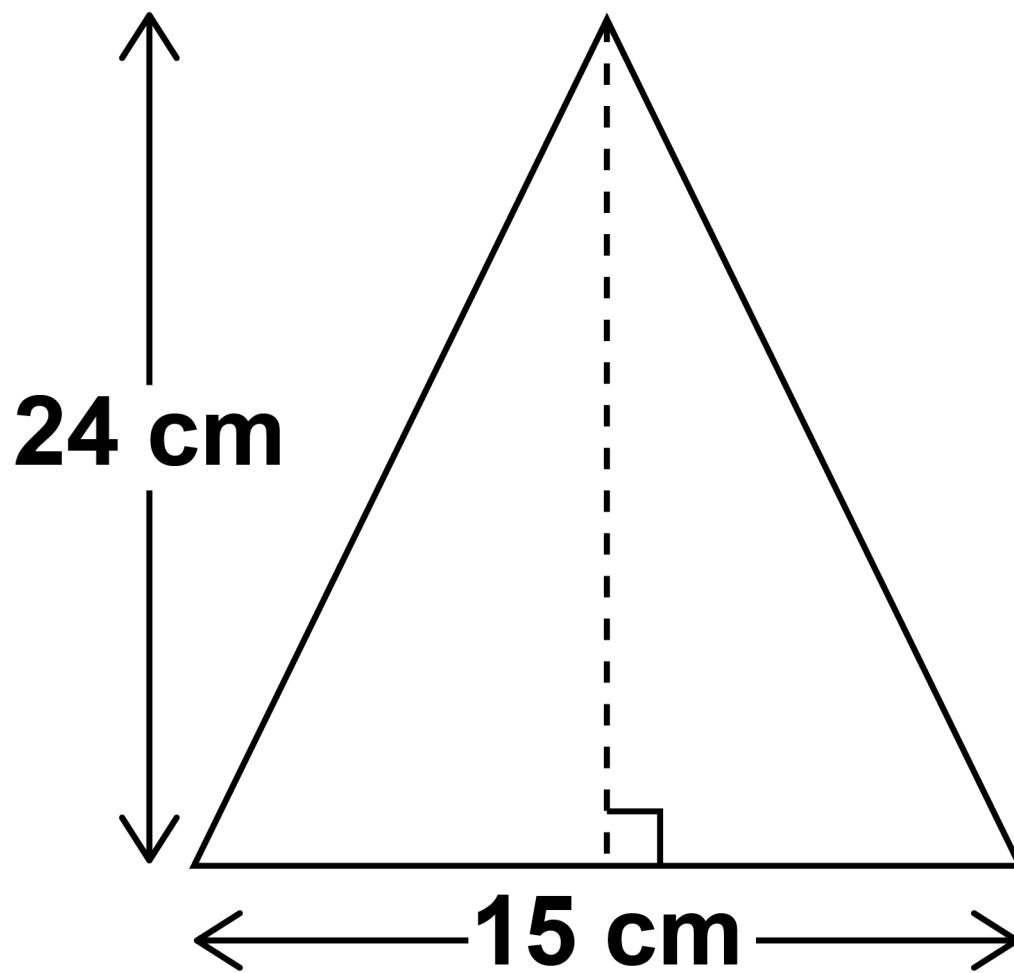
[Turn over]



28

**Each triangular face has base
15 cm and perpendicular height
24 cm**

**The diagram is not drawn
accurately**



Cost of fabric	£400 per square metre
Other costs for A	£3.50 per lampshade
Other costs for B	£7.50 per lampshade



30

16 In a running club there are 50 females and 80 males.

If a female is chosen at random, the probability she has blue eyes is 0.38

If a male is chosen at random, the probability he has blue eyes is 0.6

One person is chosen at random.

Show that the probability the person has blue eyes is MORE THAN 0.5 [4 marks]



$$17 \quad w = \frac{3}{5\sqrt{x}}$$

Circle the expression for w^2
[1 mark]

$$\frac{6}{10x^2}$$

$$\frac{9}{25x^2}$$

$$\frac{6}{10x}$$

$$\frac{9}{25x}$$

[Turn over]



18 Here is some information about the ages of people at a concert.

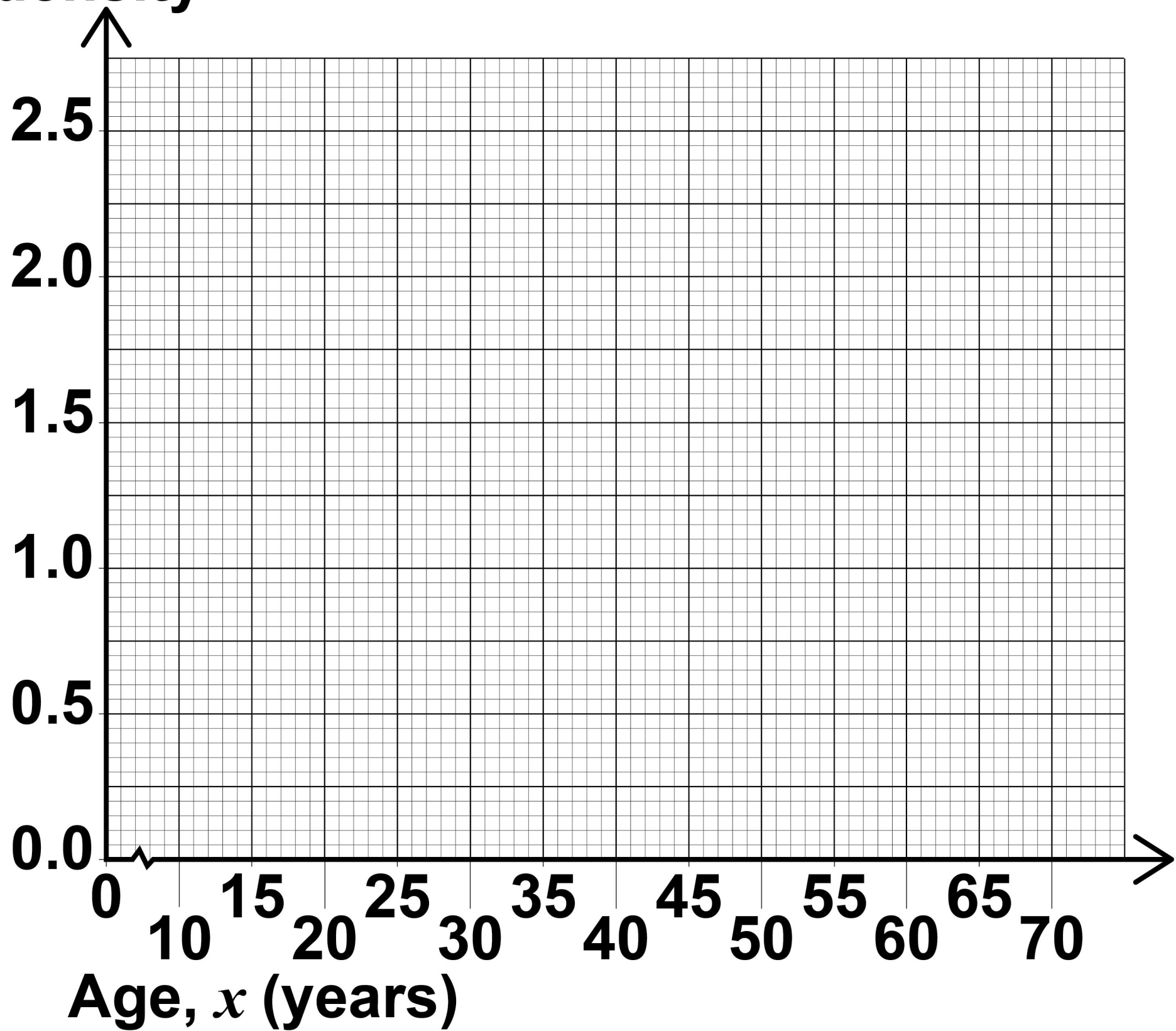
Age, x (years)	Frequency
$10 \leq x < 15$	8
$15 \leq x < 25$	24
$25 \leq x < 40$	30
$40 \leq x < 70$	39

**Draw a histogram, on page 33, to represent the information.
[3 marks]**



Ages of people at a concert

Frequency density



[Turn over]

8



35

Answer _____ **metres**

[Turn over]



Answer

[Turn over]

<hr/>
6



38

21 Priya and Joe travel the same 16.8 km route.

Priya starts at 9.00 am and walks at a constant speed of 6 km/h

Joe starts at 9.30 am and runs at a constant speed.

Joe overtakes Priya at 10.20 am

At what time does Joe finish the route? [5 marks]



22 An approximate solution to an equation is found using the iterative formula

$$x_{n+1} = \frac{(x_n)^3 - 2}{10} \quad \text{with } x_1 = -1$$

22 (a) Work out the values of x_2 and x_3
[2 marks]

$x_2 =$

$x_3 =$



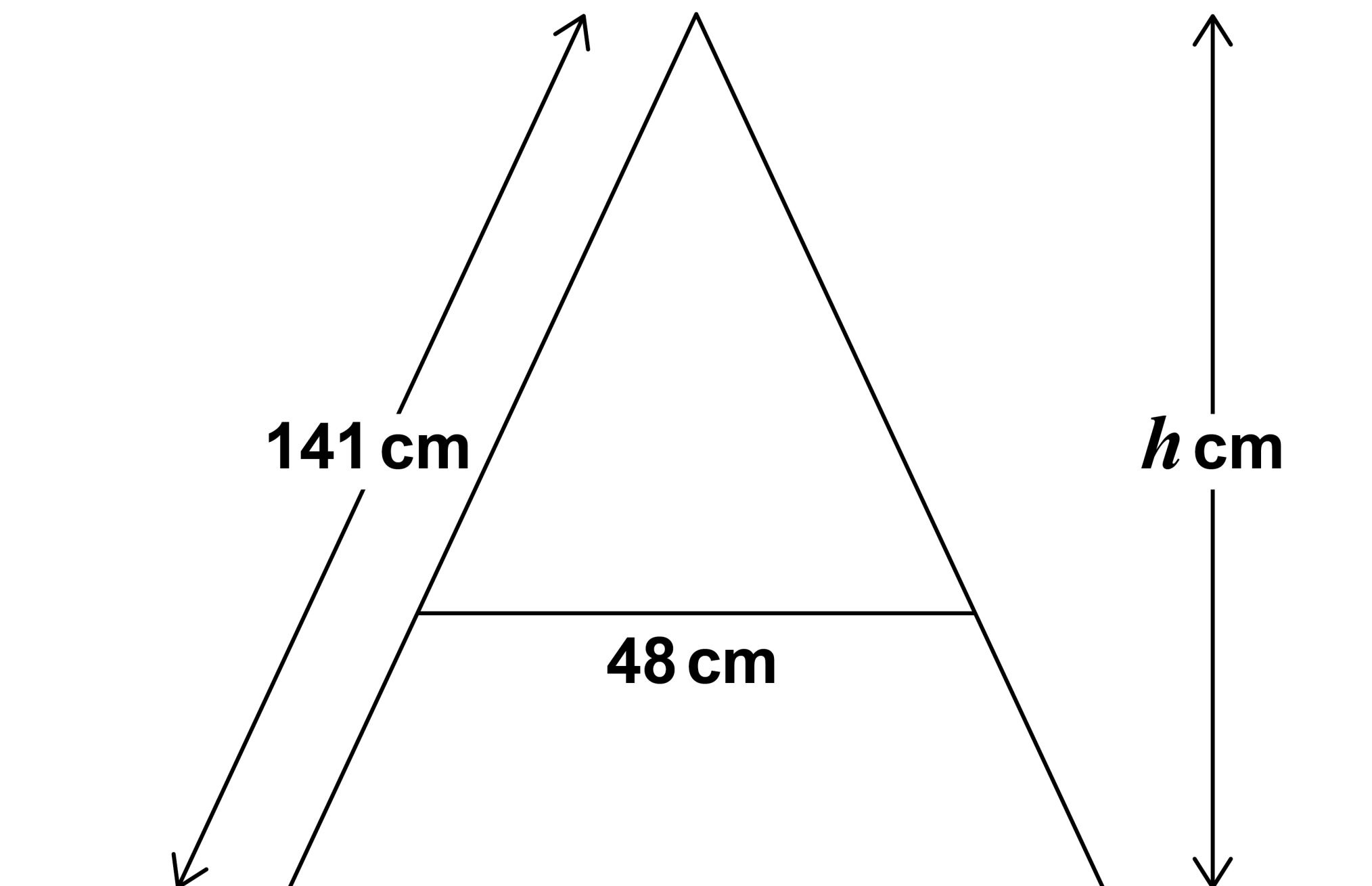
42

23 The diagram shows the side view of a step ladder with a horizontal strut of length 48 cm

The strut is one third of the way up the ladder.

The symmetrical cross section of the ladder shows two similar triangles.

The diagram is not drawn accurately.



24 **Volume of a sphere = $\frac{4}{3} \pi r^3$**

where r is the radius

Volume of a cone = $\frac{1}{3} \pi r^2 h$

where r is the radius and h is the perpendicular height

A sphere has radius $2x$ cm

A cone has

radius $3x$ cm

perpendicular height h cm

The sphere and the cone have the same volume.

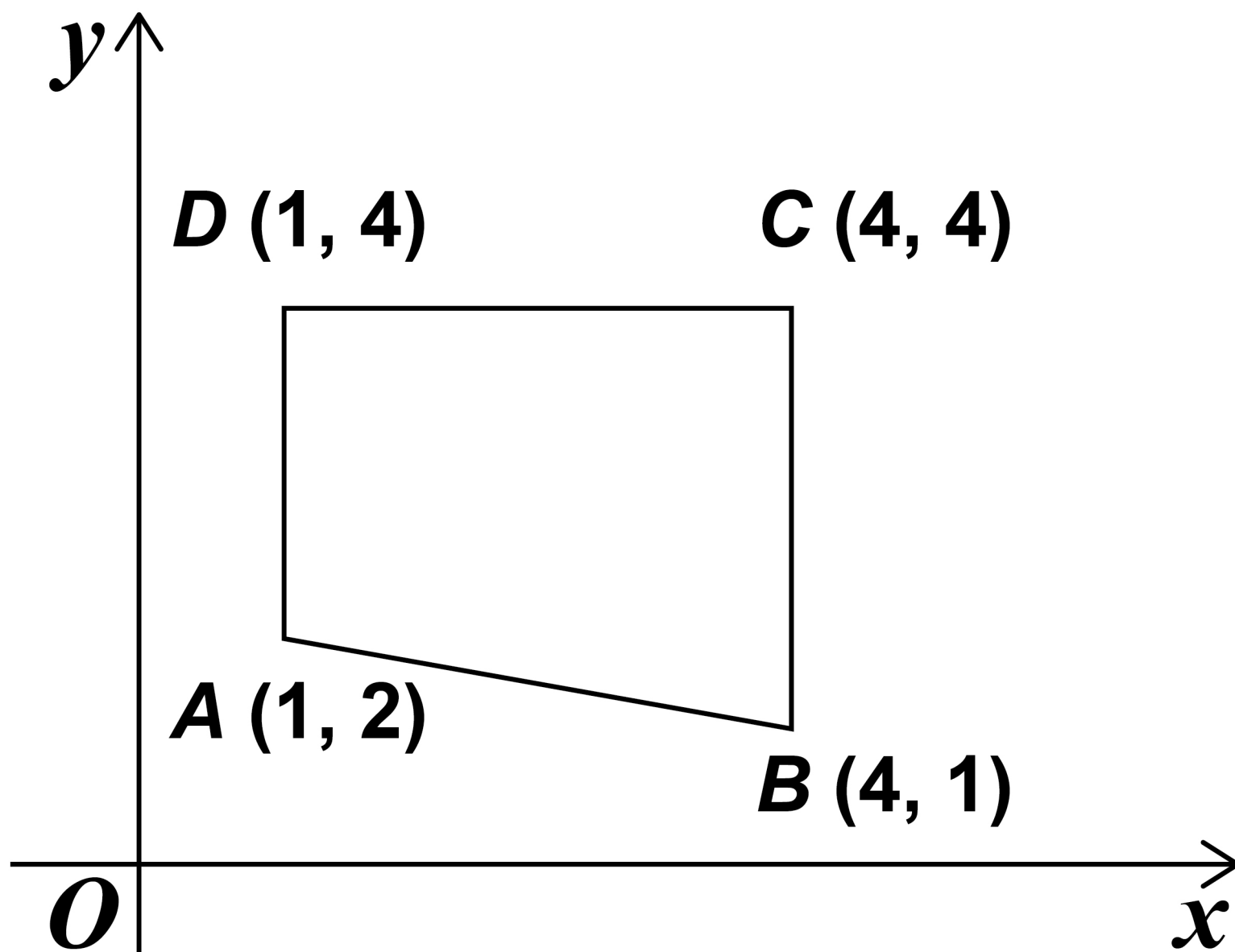
**Work out radius of cone :
perpendicular height of cone**

**Give your answer in the form $a : b$
where a and b are integers. [4 marks]**



25 $ABCD$ is a quadrilateral.

The diagram is not drawn accurately.



The quadrilateral is reflected in the line $x = 4$



47

Which vertices are invariant?

Circle your answer. [1 mark]

A and D

C and D

B and C

B and D

[Turn over]



BLANK PAGE



BLANK PAGE



Answer (_____ , _____)

[Turn over]

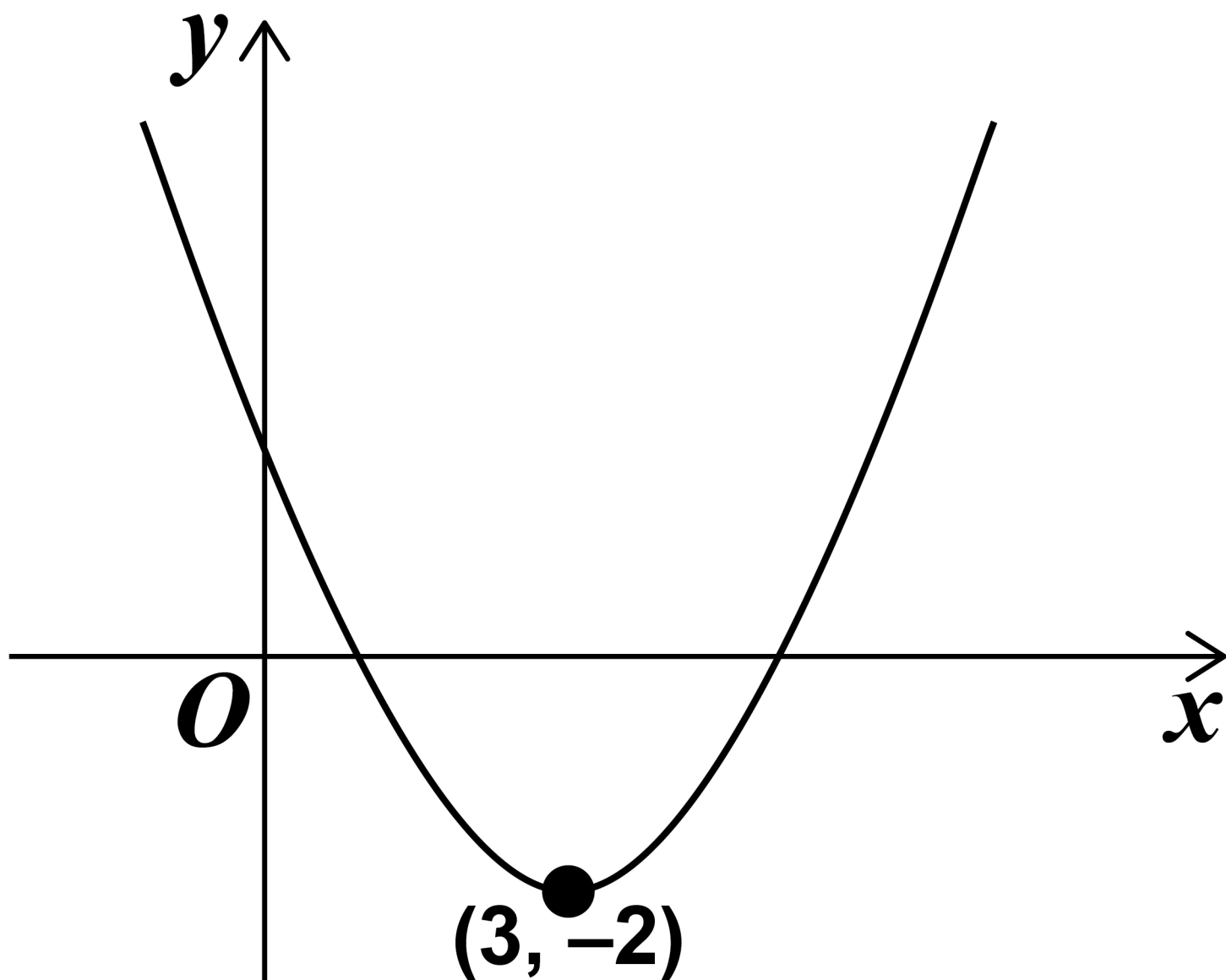
8



28 Here is a sketch of a quadratic curve.

The turning point is $(3, -2)$

The diagram is not drawn accurately.



55

Circle the correct statement about the gradient of the curve for $x < 3$
[1 mark]

gradient is positive

gradient is negative

gradient is zero

gradient could be any value

END OF QUESTIONS

<hr/> 1



There are no questions printed on this page

For Examiner's Use	
Pages	Mark
4–7	
8–11	
12–15	
16–21	
22–25	
26–29	
30–33	
34–37	
38–41	
42–45	
46–49	
50–53	
54–55	
TOTAL	

Copyright information

For confidentiality purposes, from the November 2015 examination series, acknowledgements of third-party copyright material will be published in a separate booklet rather than including them on the examination paper or support materials. This booklet is published after each examination series and is available for free download from www.aqa.org.uk after the live examination series.

Permission to reproduce all copyright material has been applied for. In some cases, efforts to contact copyright-holders may have been unsuccessful and AQA will be happy to rectify any omissions of acknowledgements. If you have any queries please contact the Copyright Team, AQA, Stag Hill House, Guildford, GU2 7XJ.

Copyright © 2018 AQA and its licensors. All rights reserved.

IB/M/Nov18/CD/8300/3H/E3

