

UNIVERSITY OF CAMBRIDGE INTERNATIONAL EXAMINATIONS
International General Certificate of Secondary Education

MARK SCHEME for the October/November 2007 question paper

0445 DESIGN AND TECHNOLOGY

0445/04

Paper 4 (Technology), maximum raw mark 50

This mark scheme is published as an aid to teachers and candidates, to indicate the requirements of the examination. It shows the basis on which Examiners were instructed to award marks. It does not indicate the details of the discussions that took place at an Examiners' meeting before marking began.

All Examiners are instructed that alternative correct answers and unexpected approaches in candidates' scripts must be given marks that fairly reflect the relevant knowledge and skills demonstrated.

Mark schemes must be read in conjunction with the question papers and the report on the examination.

- CIE will not enter into discussions or correspondence in connection with these mark schemes.

CIE is publishing the mark schemes for the October/November 2007 question papers for most IGCSE, GCE Advanced Level and Advanced Subsidiary Level syllabuses and some Ordinary Level syllabuses.

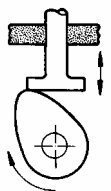
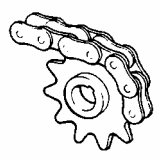
Page 2	Mark Scheme	Syllabus
	IGCSE – October/November 2007	0445

Section A

1 Tensile

2 Electrolytic (1) capacitor (1)
Time delay circuit (1) [3]

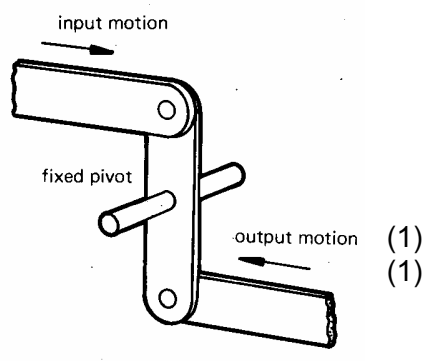
3

Name	Diagram	Use
Pear cam and flat follower	(1)  (1)	Valve operation
Sprocket and Chain (Chain drive) (1)		Bicycle transmission

[3]

4 Second [1]
An example: Wheelbarrow/Nutcrackers/Brake pedal [1]

5 (a)




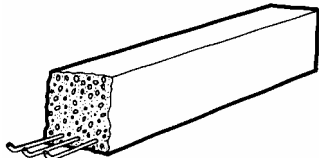
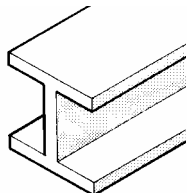
[2]

(b) Linear [1]

(c) Change direction (1) without change of value (1) [2]

Page 3	Mark Scheme	Syllabus
	IGCSE – October/November 2007	0445

6 Complete the table below:

Name	Diagram	Use
Honeycomb cells		Door panel inner (1)
(Reinforced) beam (1)		Lintel (1)
'I' Section beam		Steel framed buildings (1)

7 NOT gate/Inverter [1]

8 (a) Sense change in light level (1)

(b) Burglar alarm (1) [2]

9 Deflection of a aircraft wing (1) [1]

10 Gusset plate (1) Braces (1) [2]

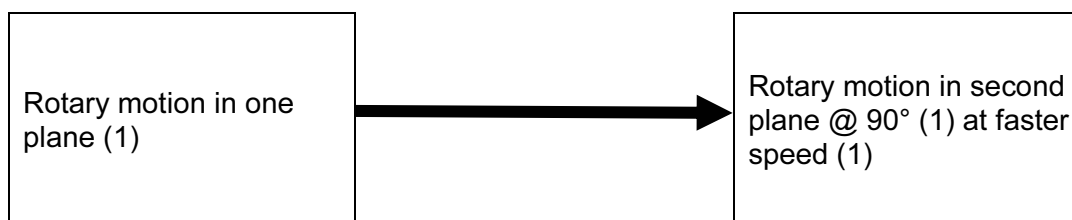
[Total Section A: 25]

Page 4	Mark Scheme	Syllabus
	IGCSE – October/November 2007	0445

Section B

Answer **one** question from this section.

11 (a)

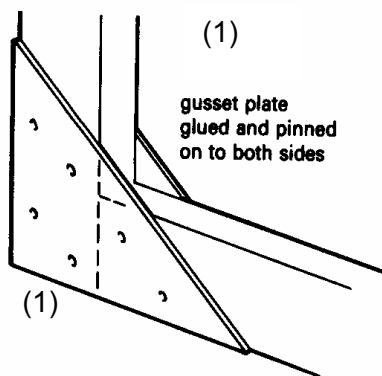


[Max 2]

- (b) (i) Bevel [1]
- (ii) Gives greater VR (1) and increases the speed of the drill chuck (1) [2]
- (iii) Keeps the driver wheel level (1) & makes the motion smoother (1) [2]
- (c) Greater MA (2) thus makes turning the drill bit easier (1) [3]
- (d) (i) Driver to driven (1)
60 : 12 (1)
5 : 1 (1) [3]
- (ii) 60 rpm × 5 = output speed (1)
300 rpm = Output speed (1)
Units (1) [3]
- (e) (i) Positive drive system (1)/where there is little slip (1) [1]
- (ii) Over time the belt will stretch and lose its elasticity (1) thus efficiency will suffer (1) [2]
- (iii) Timing belt/plotter drive [1]
- (iv) VR is the ratio (1) of the number of teeth on the driven wheel (1) to the number of teeth on the driver wheel (1) [3]
- (f) Flat (1) Record player turntable (1)
Vee (1) Drilling machine pulley system (1)
Round (1) Mecanno toy pulley belt (1) [2]

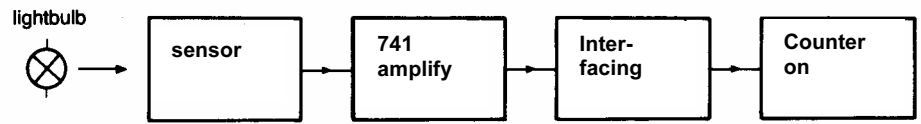
Page 5	Mark Scheme	Syllabus
	IGCSE – October/November 2007	0445

- 12 (a) (i) Crane/bridge/pylons/building framework
- (ii) Tanker/car bodies/aircraft fuselage
- (b) Frame has members (1) which distribute the forces shell distributes the forces through the skin of the shell (1) [2]
- (c) 1 Support: Carries its own mass (1) and any applied load (1) [2]
- 2 Span: Bridges a gap (1) carrying a load over it (1) [2]
- 3 Contain: Holding a load (1) inside (1) [2]
- (d) A roof truss carries a static load of the mass of the tiles (1) but it also needs to withstand dynamic loads such as winds (1) or other moving forces such as work men (1) [3]
- (e) (i) Name the parts numbered 1 to 3. [1]
- 1 Column [1]
- 2 Beam [1]
- 3 Brace [1]
- (ii) Shows compressive forces (1) sketch (1) [2]
- (iii) Triangulation in structures promotes rigidity (1) it reduces the tendency to distort (1) [2]
- (iv)



- (f) A member that, if removed (1), has no effect (1) on the structure [2]
- Sketch (1) [3]

13 (a)



[4]

(b) (i) Relay [1]

(ii) Interfacing (1) between low current circuit (1) and higher current circuit (1) [3]

(iii) Protection (1) for the transistor (1) from back emf (1) [2]

(iv) Varies (1) the sensitivity (1) of the LDR and the triggering of the 741 (1) [3]

(v) Sets voltage for the bulb [1]

(c) The pair of resistors splits the voltage across pin 3 (1) and thus controls the gain of the 741 (1) this determines the triggering of the relay (1) [3]

(d) By changing the position of LDR (1) and the 47kΩVR (1) the function is reversed (1) [3]

(e) (i) Complete the truth table below for this logic circuit.

Pad P On/Off	Pad Q On/Off	Counter state On/Off
Off	Off	Off
Off	On	OFF
On	Off	OFF
ON	ON	On

[4]

(ii) **AND** circuit [1]