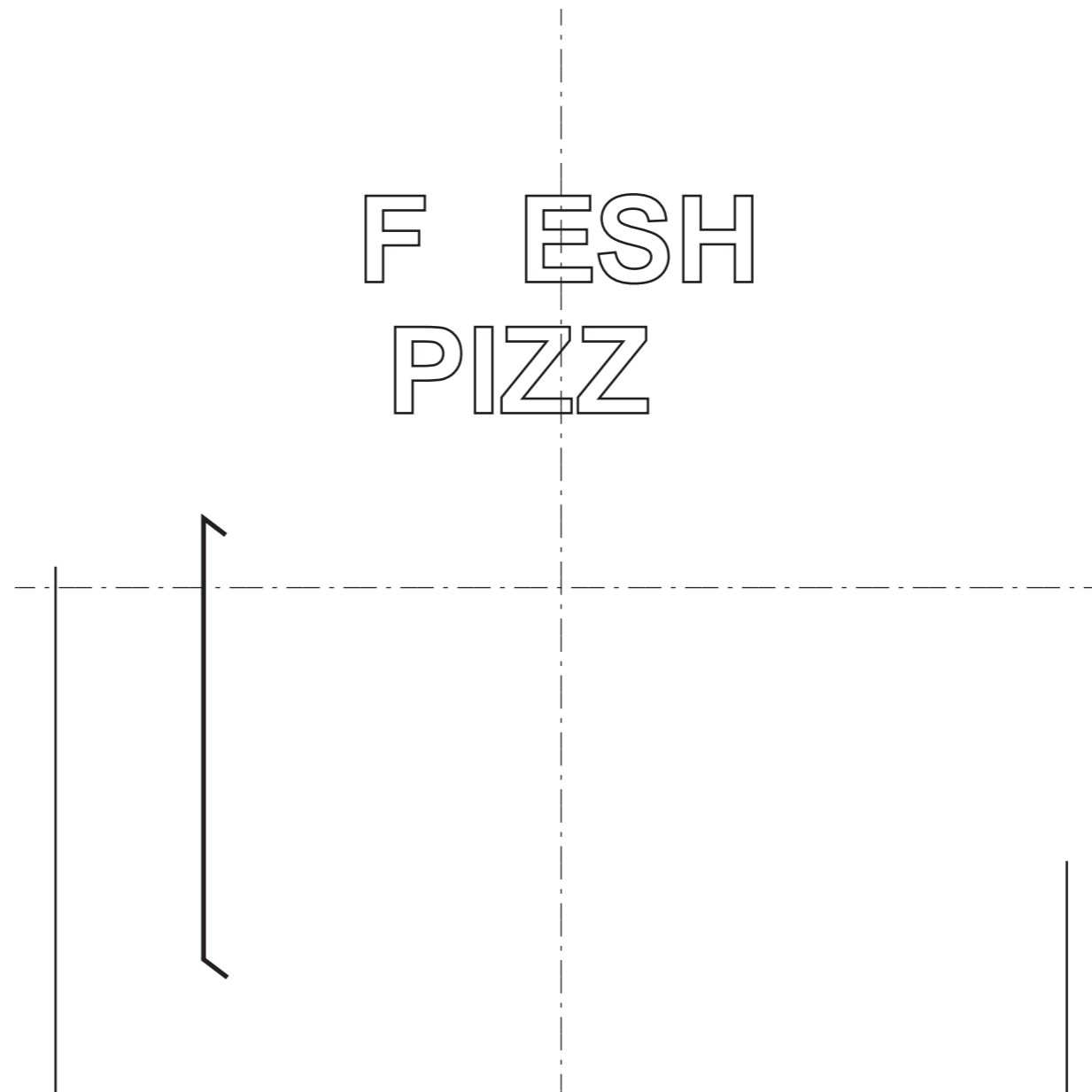
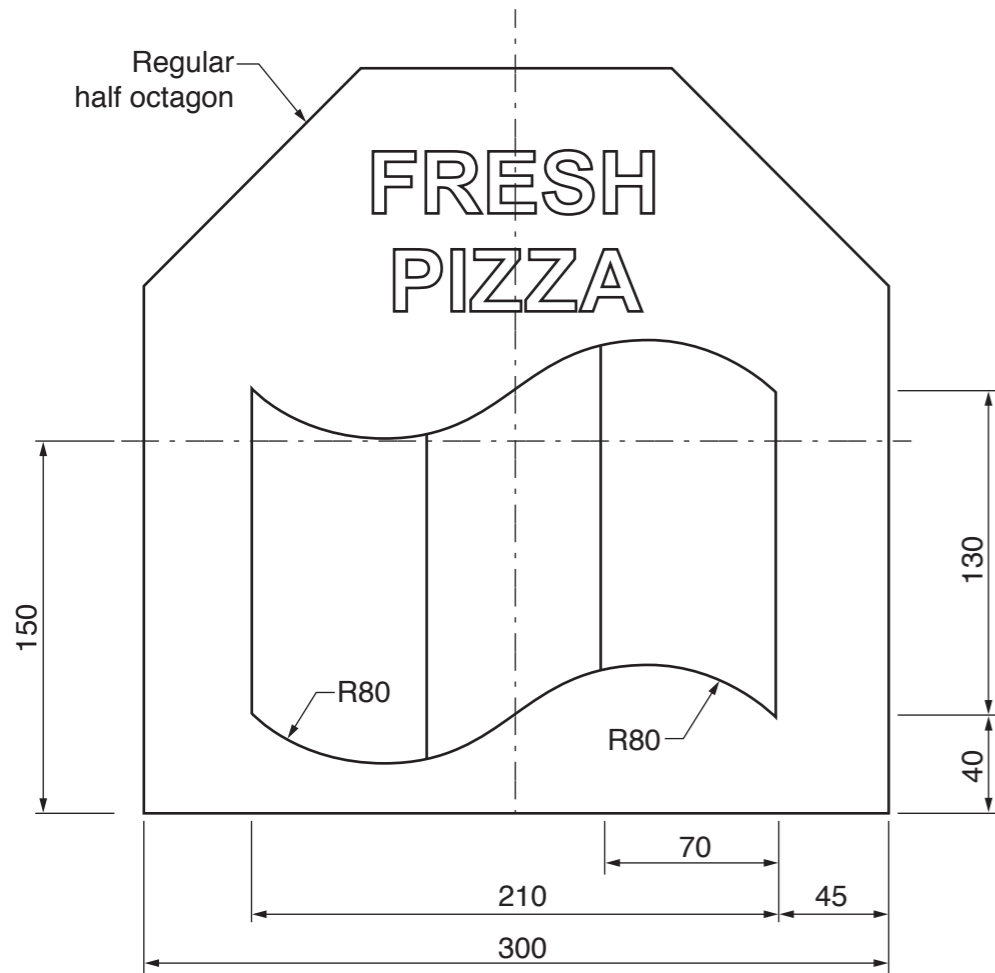


Section A

Answer **all** questions in this section.

A1 The lid of a pizza box is shown below.



Complete the half-size view of the pizza box lid in the space provided to the right by drawing:

- (a) the pizza box lid outline; [3]
- (b) the flag design on the lid; [8]
- (c) the FRESH PIZZA lettering. [4]

For
Examiner's
use

0445/22 Oct/Nov 2018 **1 hour**
© UCLES 2018 DC (ST/FC) 146112/1

Centre Number

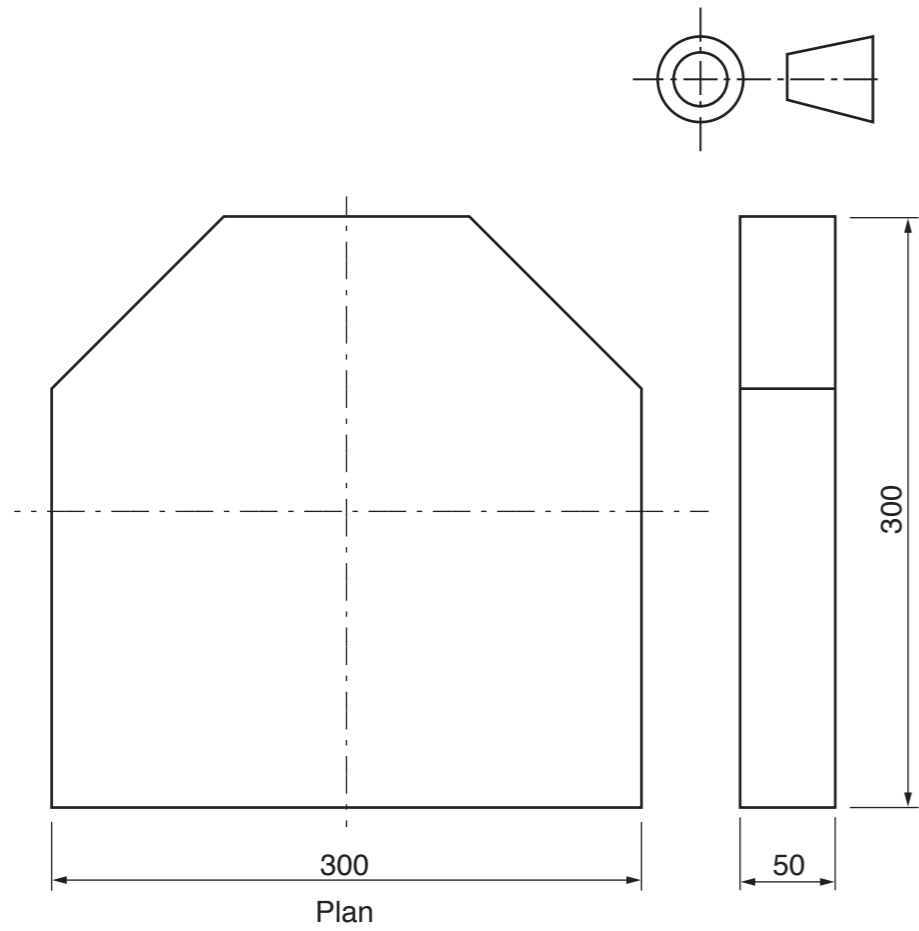
Candidate Number

Candidate Surname

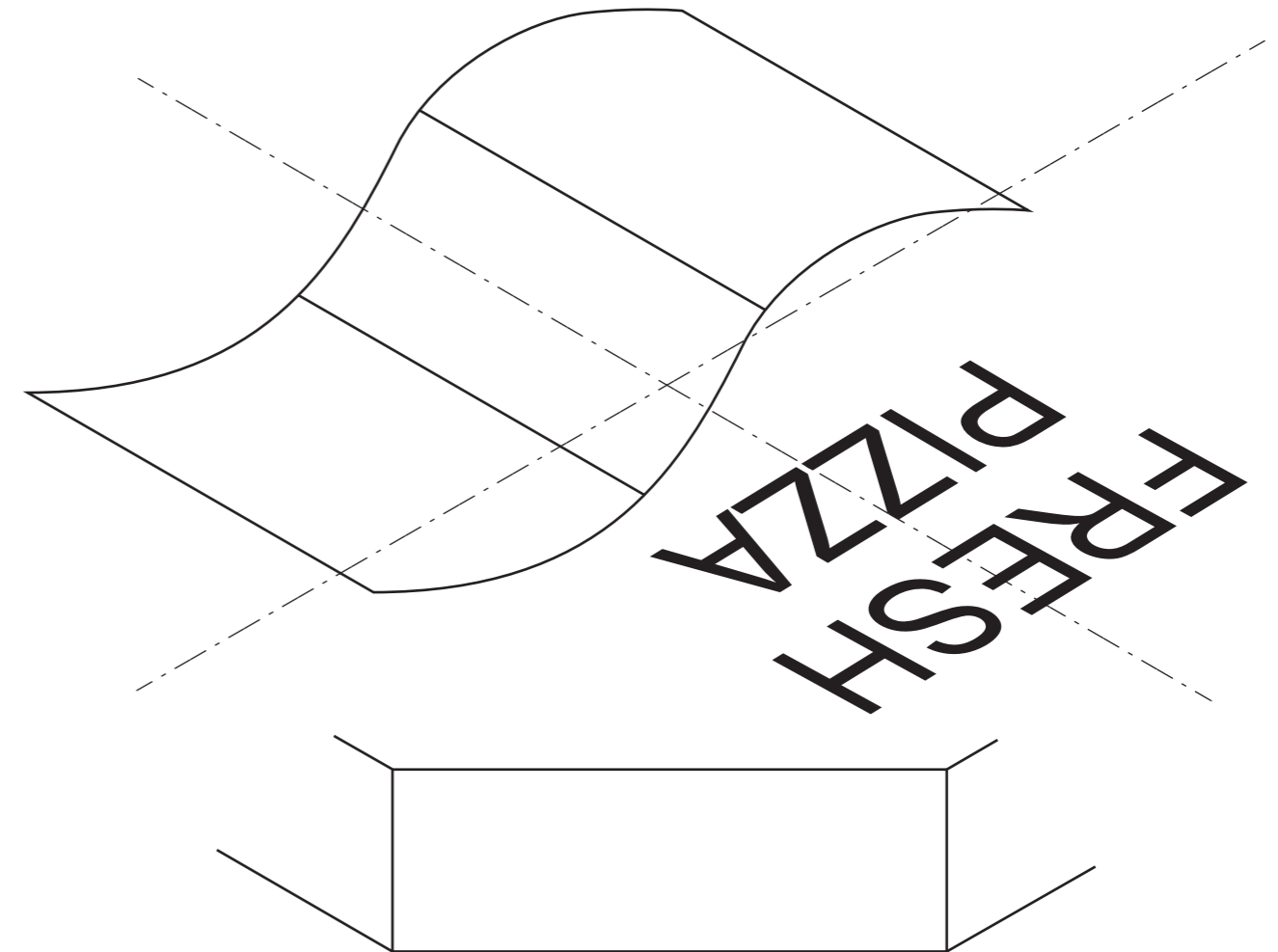
Other Names

[Turn over

A2 Orthographic views of the closed pizza box are shown below.



In the space provided, complete the isometric view of the pizza box to a scale of 1:2. [7]



A3 Corrugated cardboard is very strong in one direction.
State **one** other property of corrugated cardboard and explain why this makes it suitable for the pizza box.

.....

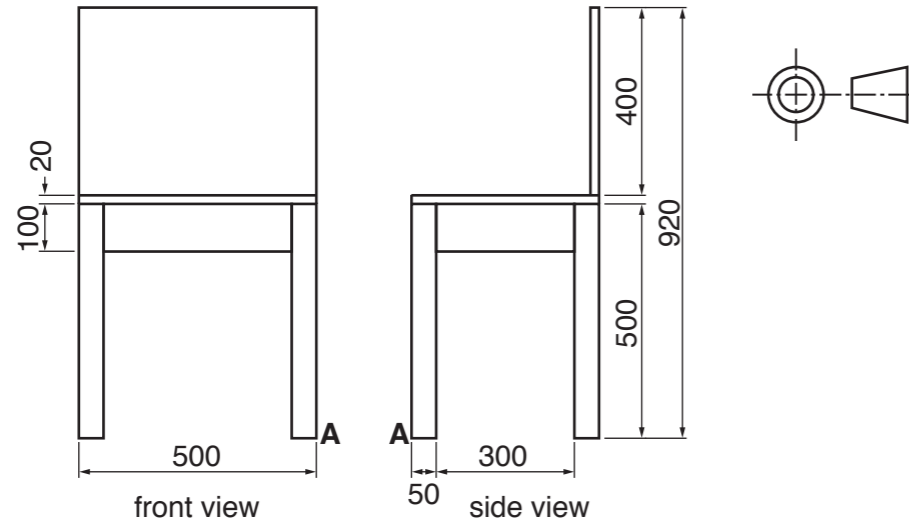
.....

.....

.....[3]

Section B
Answer **either** Question **B4** or **B5**.

B4 Orthographic views of a chair used in a pizza restaurant are shown below.



(a) Complete the planometric view of the chair to a scale of 1:10 below. [12]

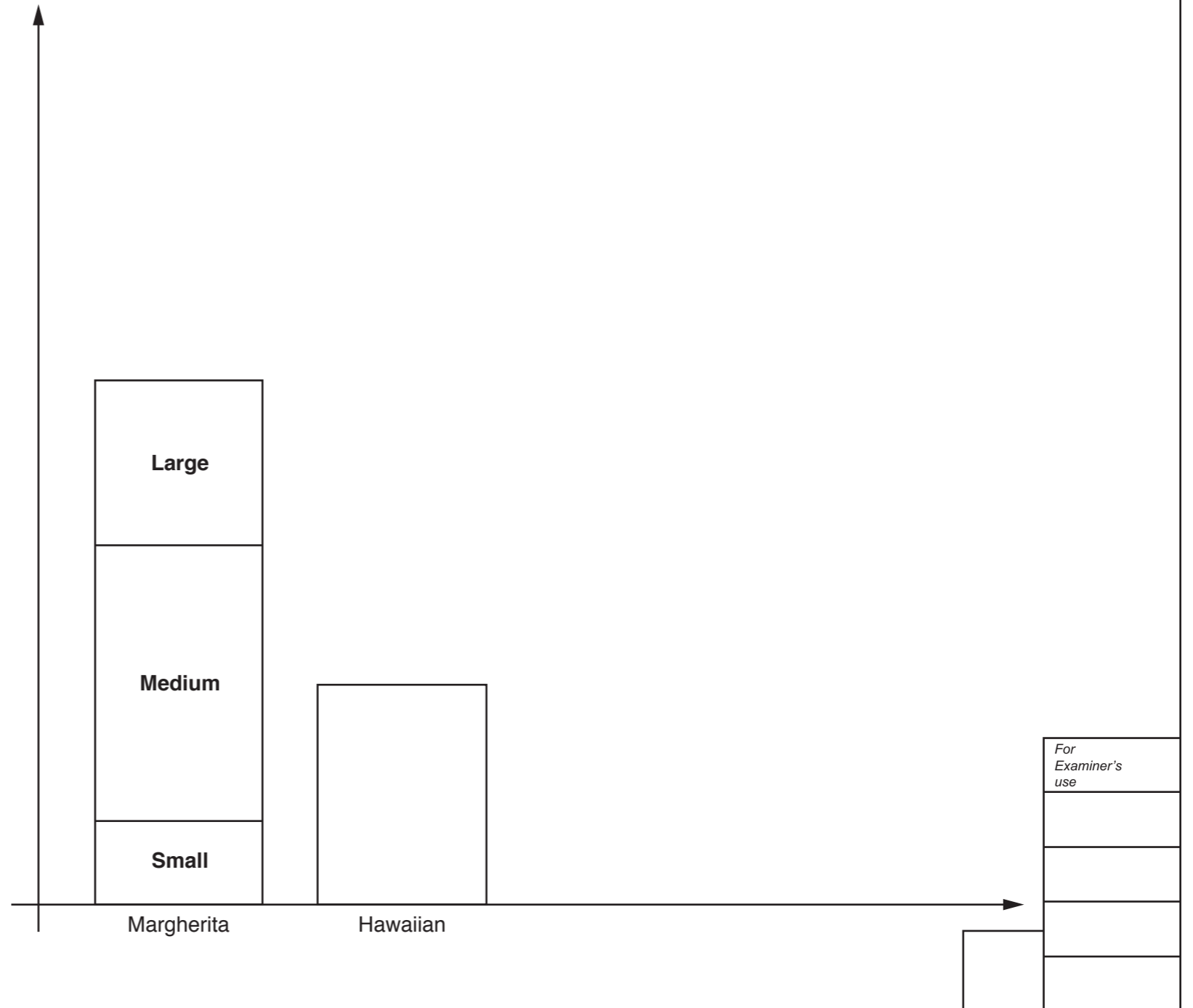


(b) The table below shows pizza sales over one day.

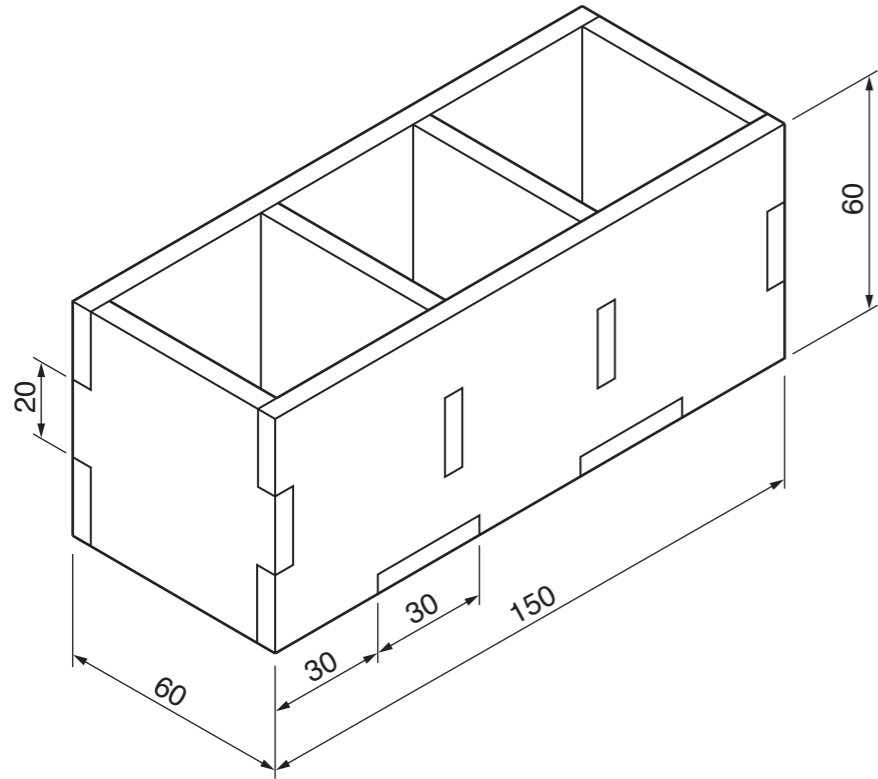
| Flavour/Size | Margherita | Hawaiian | Meat Feast | Spicy Vegetable |
|--------------|------------|----------|------------|-----------------|
| Large | 6 | 8 | 4 | 9 |
| Medium | 10 | 13 | 18 | 8 |
| Small | 3 | 9 | 10 | 7 |

In the space below, complete the column chart by adding:

- (i) the missing columns; [8]
- (ii) numbers on the Y axis; [2]
- (iii) the axis labels; [2]
- (iv) an appropriate title. [1]



B5 A holder for condiments (salt, pepper etc.) is shown below. The holder is made from seven pieces of 5 mm thick acrylic.

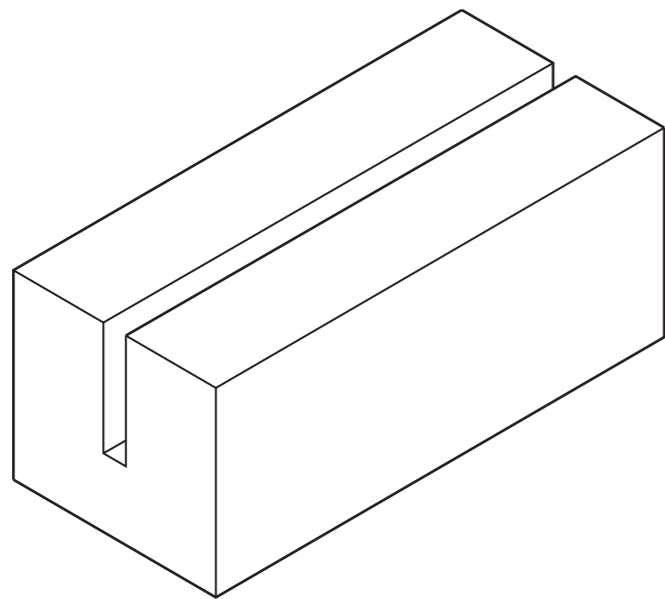


(a) In the space opposite, complete the table by drawing in the parts needed for the holder, and adding the number required. [11]

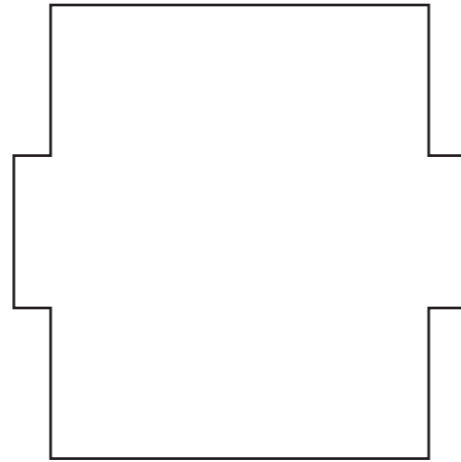
(b) The parts are to be cut out using CAM. State a suitable piece of CAM equipment for cutting out the pieces.

.....[1]

(c) A hardwood menu holder is shown below. Render the menu holder to look like wood. [3]



Part: ENDS Number required: 2



Part: Front/Back Number required:

Part: Partitions Number required:

Part: Base Number required:

(d) Complete the single-point perspective view of the menu holder below. [10]

+ VP1

