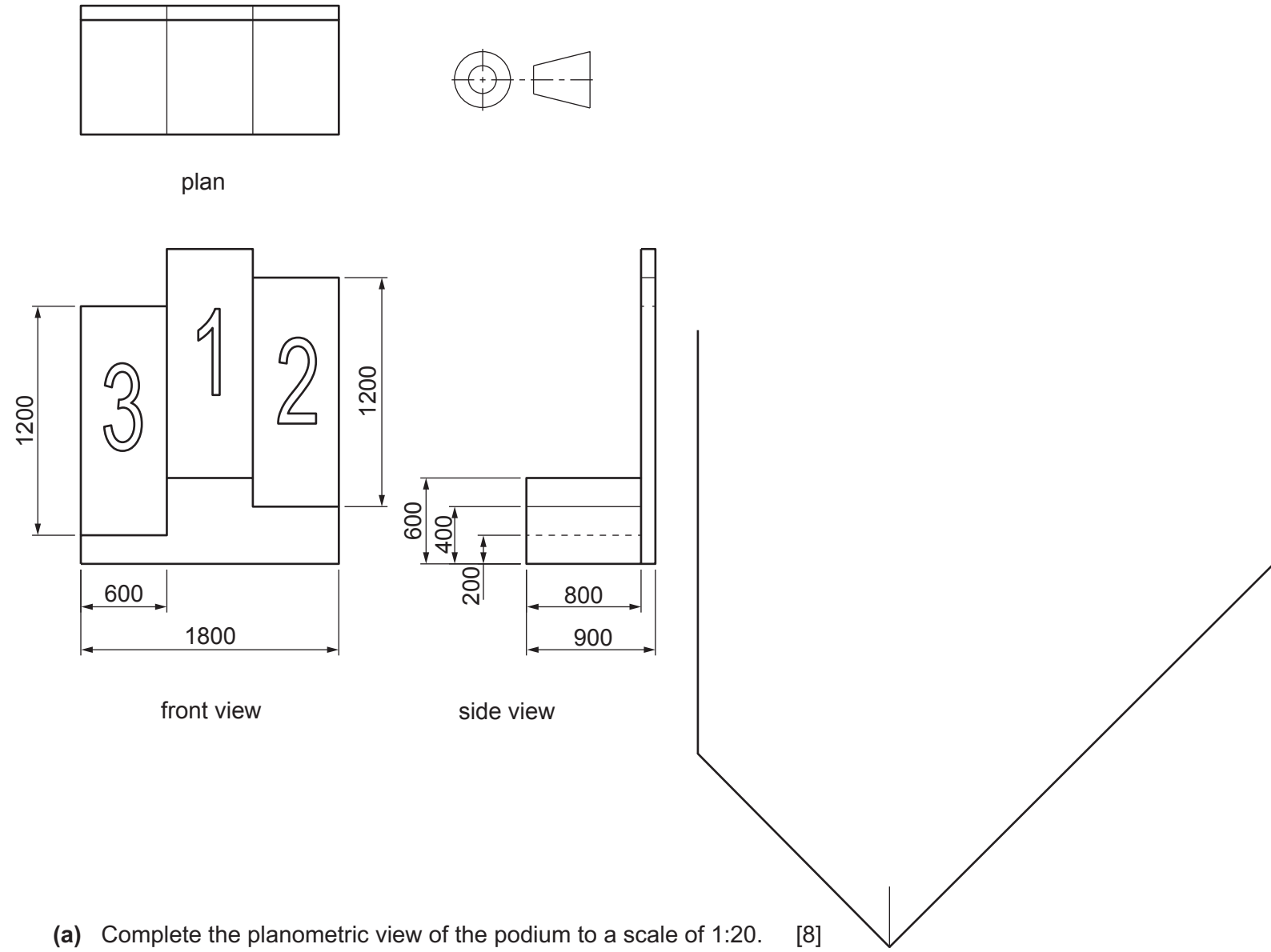


Section B
Answer **either** question **B4** or **B5**.

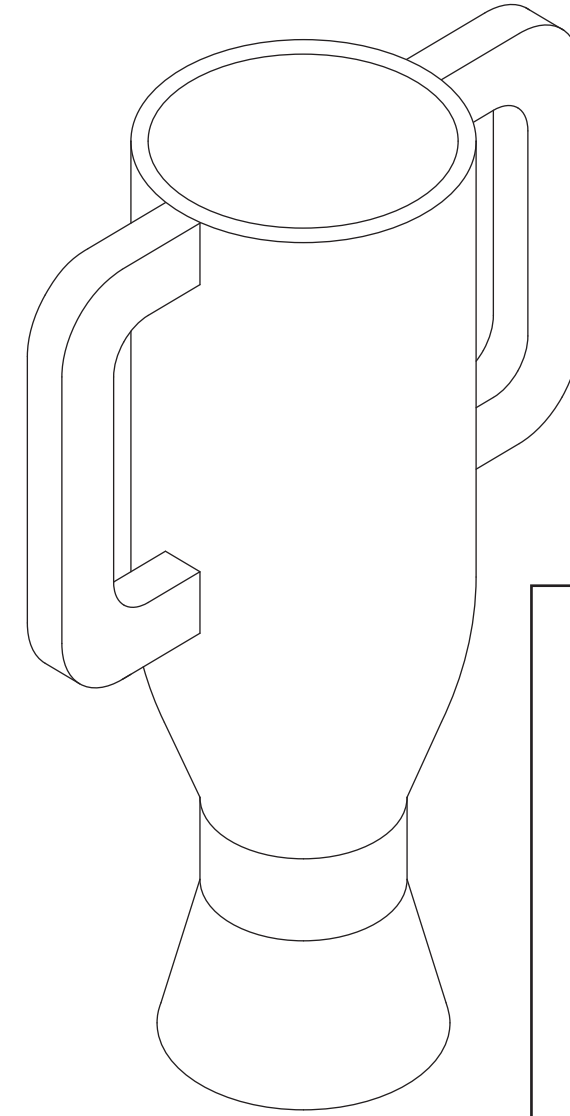
B4 Orthographic views of a winner's podium are shown below.



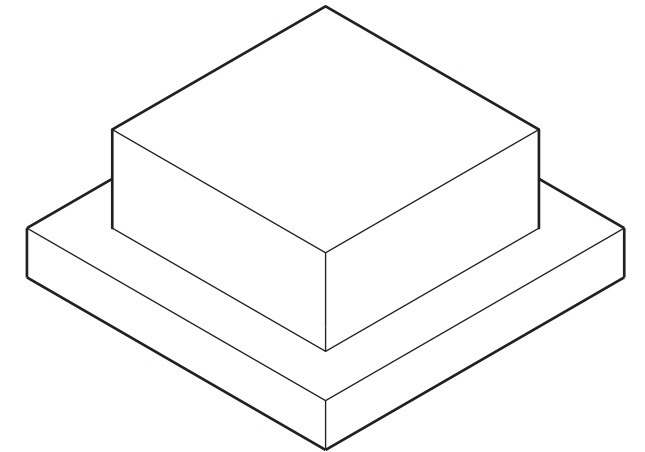
(a) Complete the planometric view of the podium to a scale of 1:20. [8]

(b) A winner's cup is shown below.
Apply thick and thin line technique to the winner's cup.

[9]



The base for the winner's cup is shown below.



(c) In the space below, complete the estimated two-point perspective view of the base. [8]

VP1 |-----| VP2

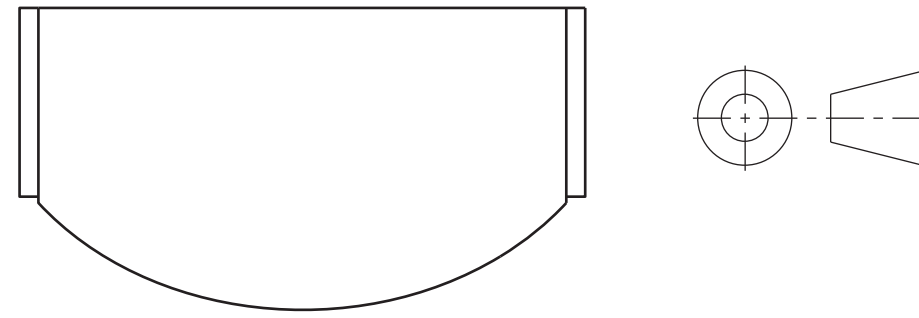
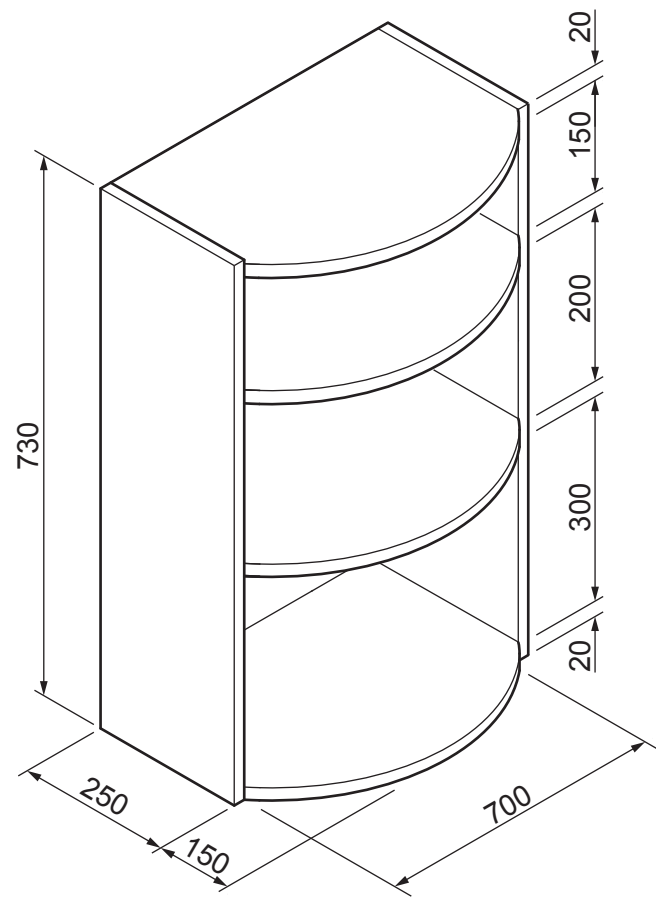
For Examiner's use

0979/22 May/June 2019 **1 hour**
© UCLES 2019 DC (CE/SW) 182534

Centre Number Candidate Number Candidate Surname Other Names **[Turn over]**

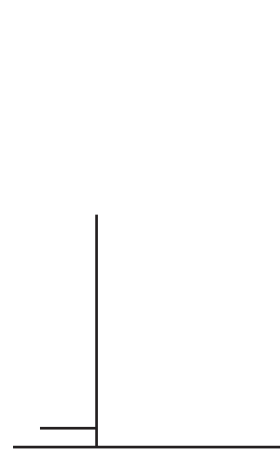
B5 A trophy cabinet is shown below.

The cabinet is made from 20 mm hardwood.



plan

front view

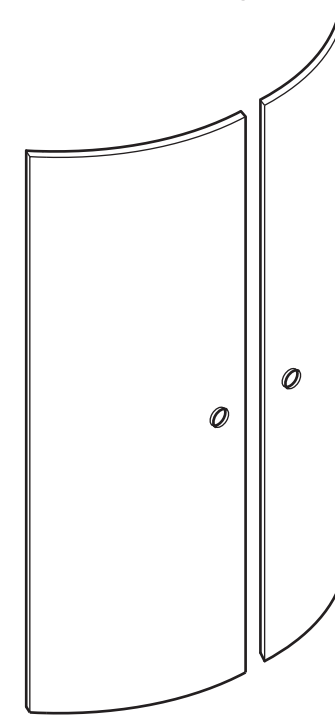


side view

(a) Complete the orthographic view of the trophy cabinet to a scale of 1:10. [10]

(b) The trophy cabinet has two curved glass doors on the front as shown below.

Render the doors to look like curved glass. [3]



(c) Complete the sectional view of the assembled handle to a scale of 3:1 by adding:

- (i) the handle [3]
- (ii) the other felt washer [4]
- (iii) the metal washer and nut. [5]

Parts for the handles on the doors of the trophy cabinet are shown below.

Part	Quantity	Sizes
Felt washers	2	18mm OD 6mm hole 1mm thick
Metal washer	1	12mm OD 6mm hole 1mm thick
Nut	1	10mm AF 5mm thick
Handle	1	Outer section: $\varnothing 30$ 10mm thick Inner section: $\varnothing 18$ 12mm thick

