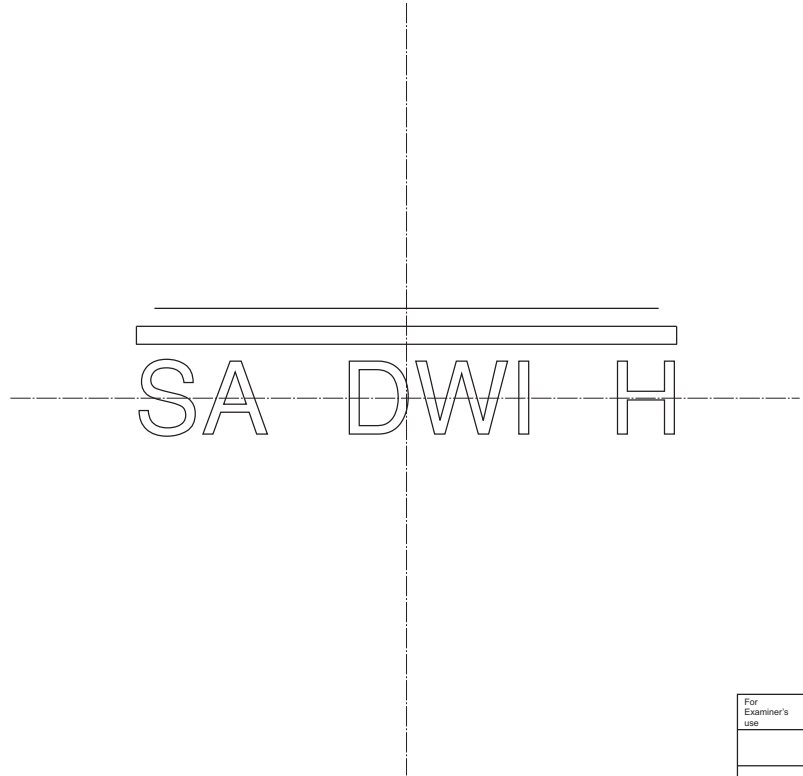
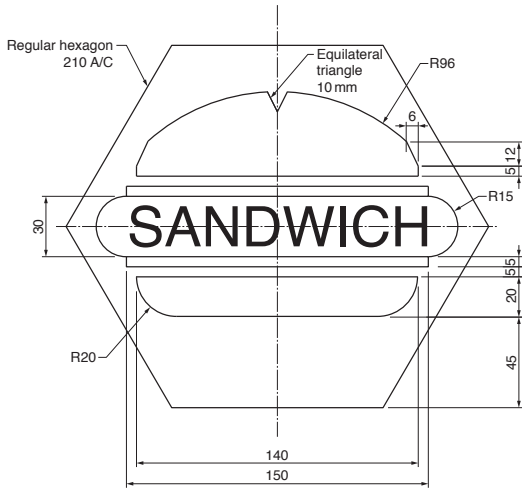


**Section A**  
Answer all questions in this section.

**A1** A logo for a sandwich shop is shown below.



Complete the full size logo in the space provided to the right by drawing:

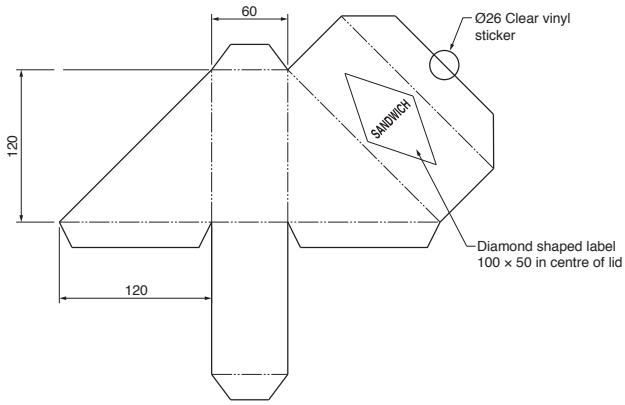
- (a) the hexagon shaped border [3]
- (b) the outer bread bun [7]
- (c) the centre fillings [2]
- (d) the missing letters of SANDWICH. [3]

For Examiner's use


**0445/21** Oct/Nov 2019 **1 hour**  
© UCLES 2019 DC (PQ) 185410

Centre Number .....	Candidate Number .....	Candidate Surname .....	Other Names .....	[Turn over]
---------------------	------------------------	-------------------------	-------------------	-------------

A2 The development (net) of a sandwich package is shown below.



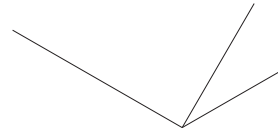
Complete the full size isometric view of the assembled package by drawing:

- (a) the outer shape of the assembled package [3]
- (b) the diamond shaped label [2]
- (c) the large closing flap. [1]

SANDWICH



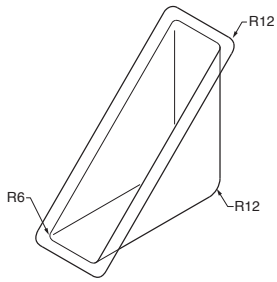
A3 Use sketches and notes to show a method of keeping the lid closed without the use of a sticker. [4]



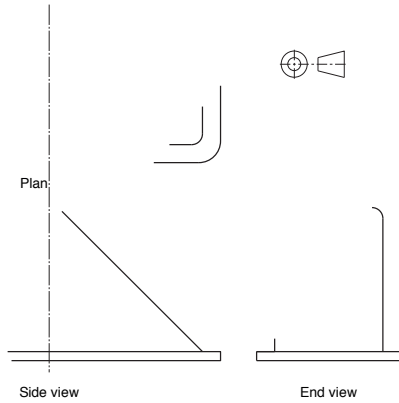
Full size isometric view of the assembled package

**Section B**  
Answer either question B4 or B5.

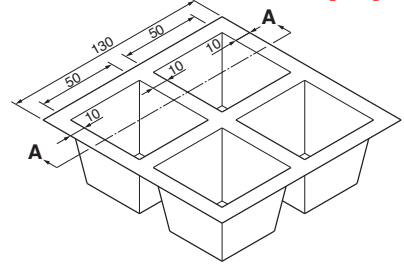
**B4** A different type of sandwich package is shown below.  
The package is vacuum formed from thin clear plastic using a mould.



(a) Complete the half scale orthographic view below of the mould that would be used to make the sandwich package. [9]



(b) A vacuum formed tray for sandwich fillings is shown to the right.  
Each tray is 40 mm deep.  
The sides of each tray have a 5° draft angle.  
In the space below, complete the full size sectional view A-A. [10]

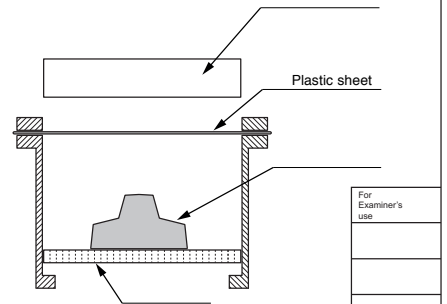


Section A-A

(c) The tray is vacuum formed from thin plastic sheet.

- (i) State **one** suitable plastic for the tray. [1]  
.....
- (ii) Explain the purpose of the draft angle on moulds used to make vacuum formed products. [2]  
.....  
.....  
.....

(d) A diagram of a vacuum former is shown below.  
Label the parts arrowed. [3]

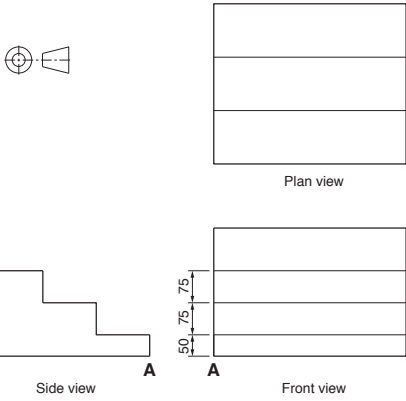


**0445/21** Oct/Nov 2019 **1 hour**  
© UCLES 2019 DC (PQ) 185410

Centre Number ..... Candidate Number ..... Candidate Surname ..... Other Names ..... [Turn over]

B5 Orthographic views of a display stand used in the sandwich shop are shown below.

The display stand is made from card.



(b) The display stand is to be sent to the shop flat packed.

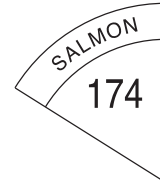
State **one** advantage and **one** disadvantage to the shop owner of the stand being flat packed.

Advantage  
 ..... [1]

Disadvantage  
 ..... [1]

A table showing the sales of sandwiches in one week is shown below.

Sandwich filling	Number sold
Salmon	174
Beef	90
Tuna	105
Chicken	210
Cheese	144
Salad	231
Other	126
<b>Total</b>	<b>1080</b>



(c) Complete the pie chart above to show the number and type of each sandwich sold. [8]

(a) Complete the two point perspective view of the display stand below to a scale of 1:5. [15]

