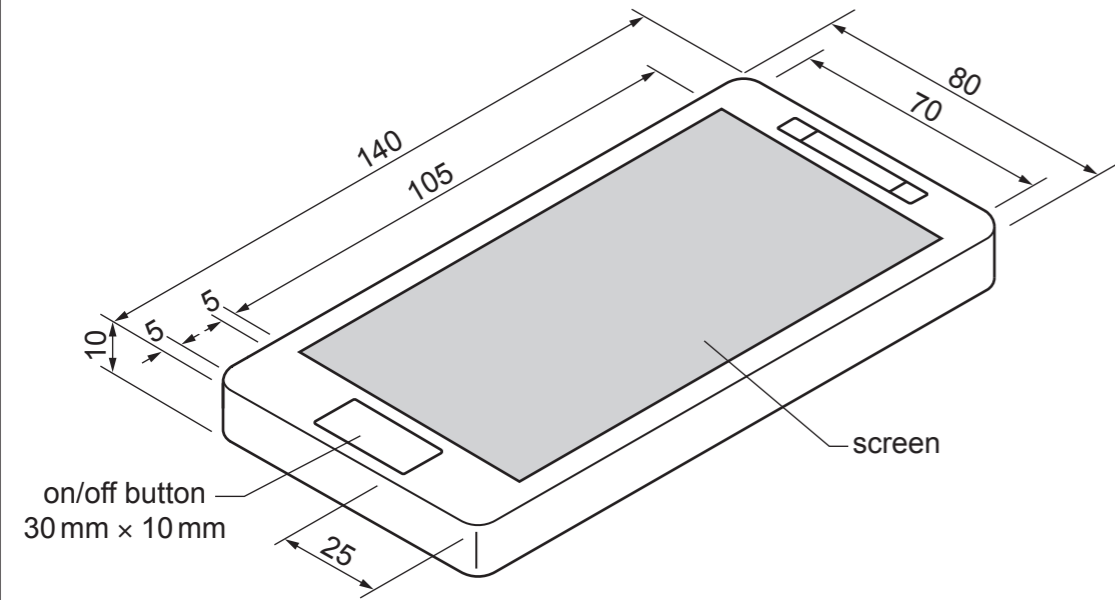


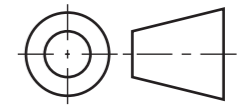
**Section A**

Answer **all** questions in this section.

**A1** A mobile phone is shown below.



plan



front view

side view

Complete the full-size orthographic views of the mobile phone in the space provided to the right by drawing:

- (a) the screen outline [2]
- (b) the on/off button [2]
- (c) the side view. [2]

For  
Examiner's  
use

**0445/52** May/June 2021 **1 hour**  
© UCLES 2021 DC (PQ/FC) 200333/3

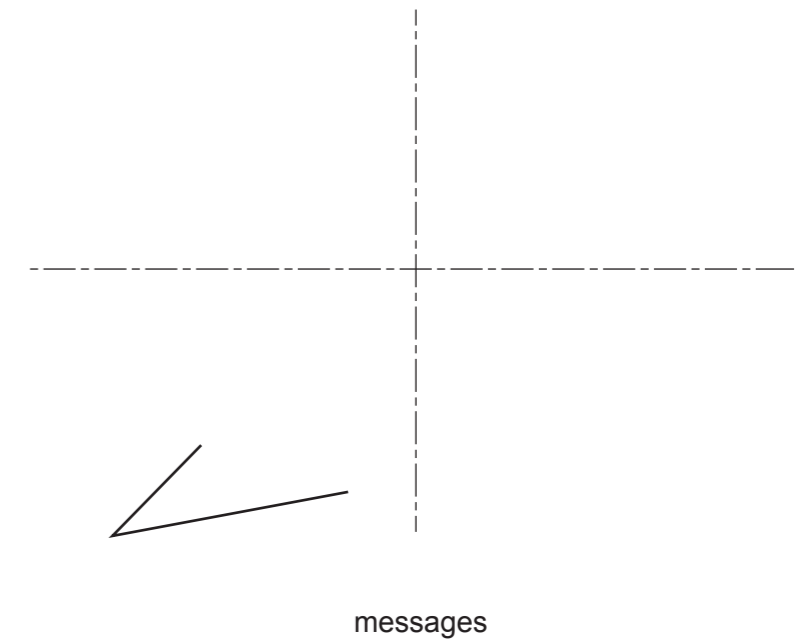
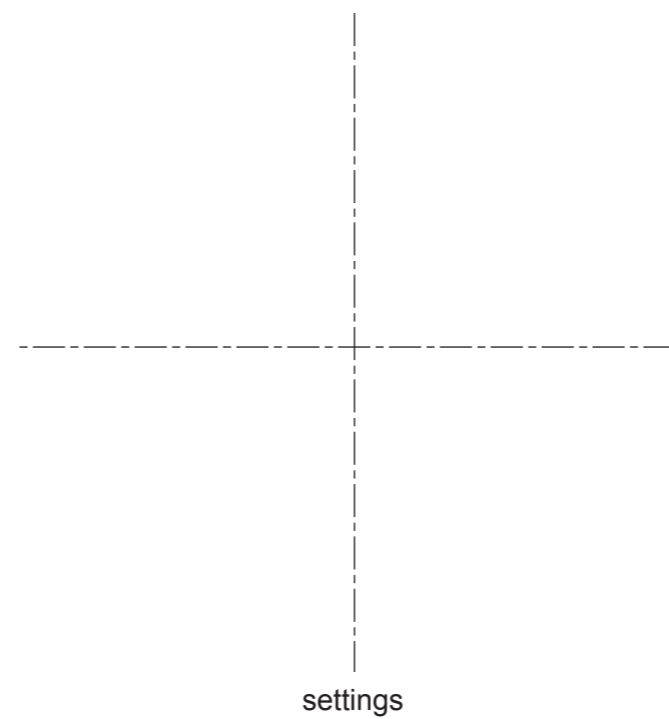
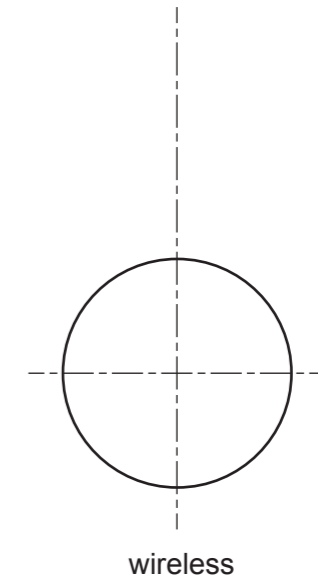
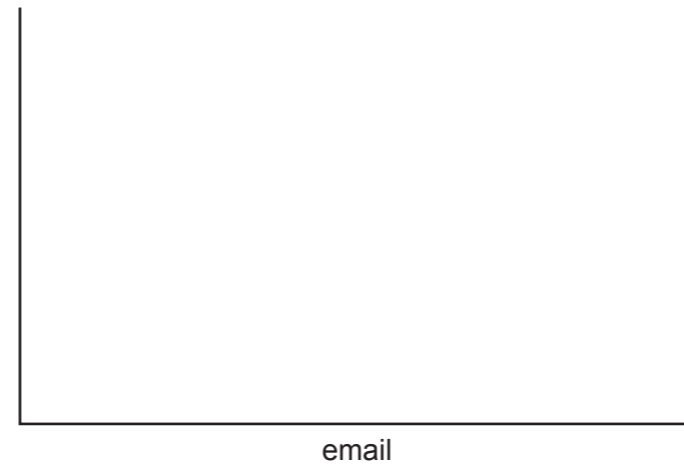
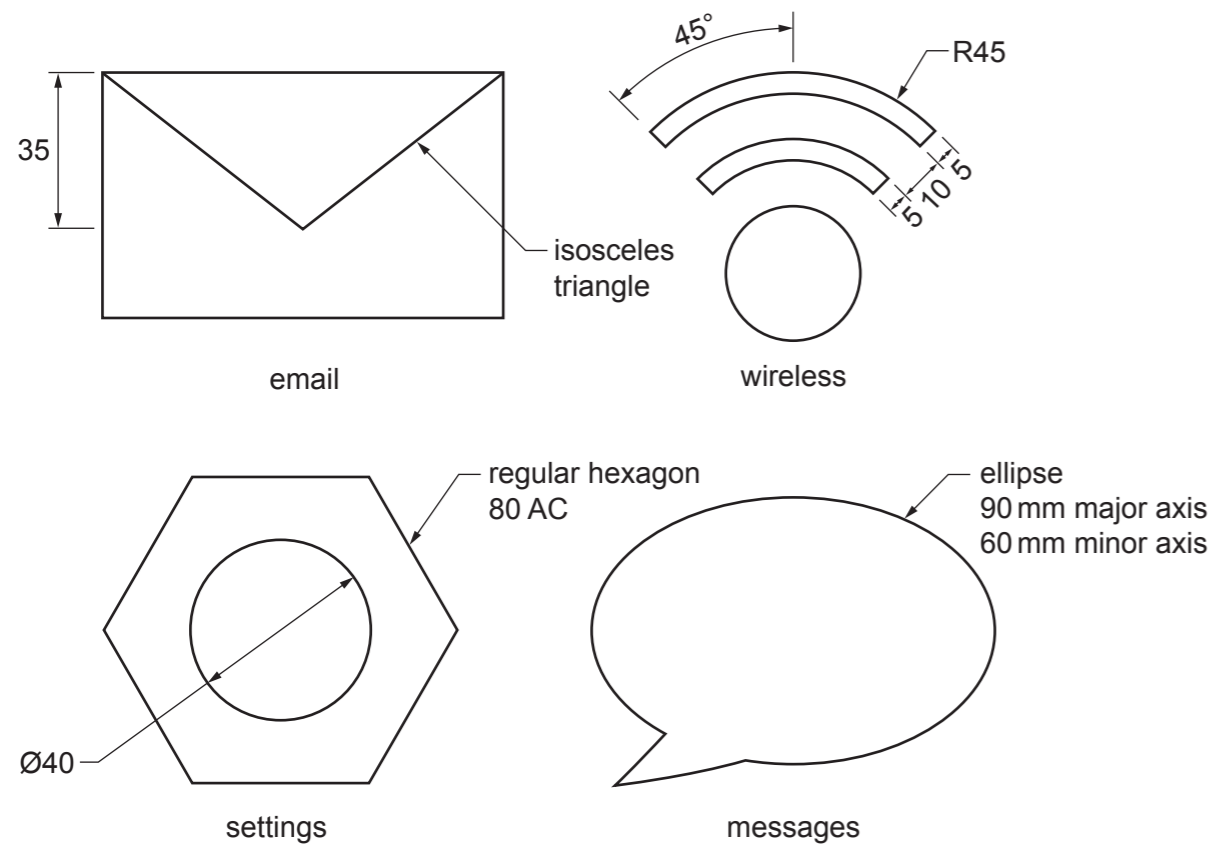
Centre Number .....

Candidate Number .....

Candidate Name .....

**[Turn over**

**A2** A mobile phone screen uses icons to show the different apps and functions available.  
 Designs for four of the icons are shown below.



Complete the full-size drawings of each icon by adding:

- (a) the isosceles triangle to the email icon [2]
- (b) the missing parts of the wireless icon [5]
- (c) the circle and hexagon to the settings icon [4]
- (d) the ellipse to the messages icon. [6]

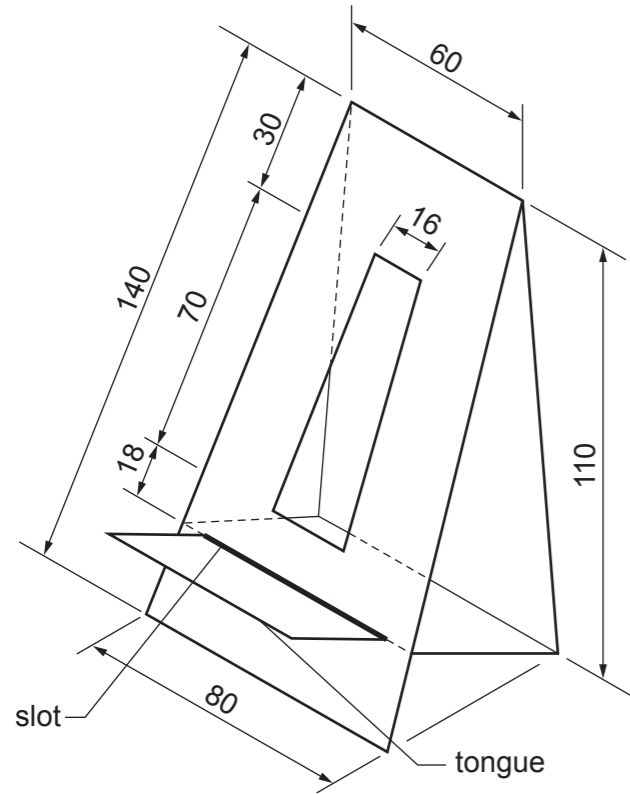
**A3** Explain **one** reason why icons are used to show the apps on the mobile phone instead of written words.

.....  
 .....  
 ..... [2]

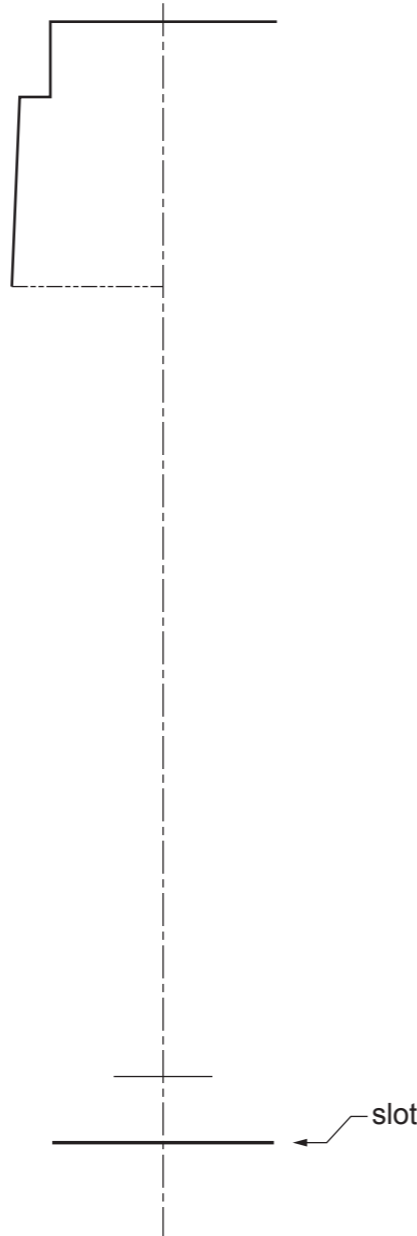
**Section B**

Answer **one** question, **either** Question **B4** or Question **B5** from this section.

**B4** A holder for the mobile phone is shown below.  
The holder is made from one piece of folded cardboard.



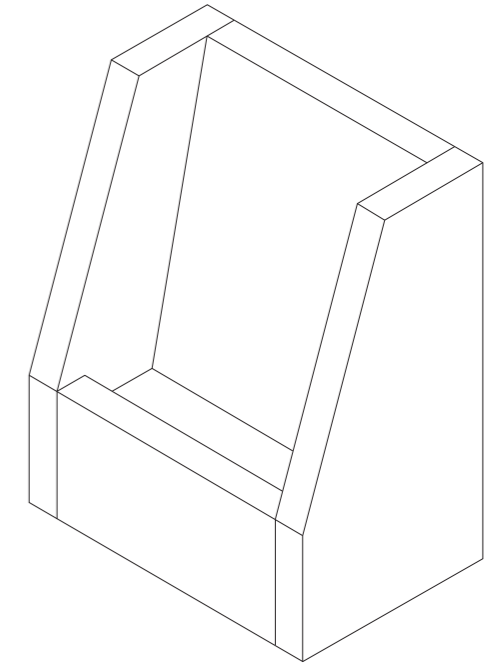
(a) Complete the development (net) of the mobile phone holder to a scale of 1:2. [11]



(b) In use, the tongue of the mobile phone holder comes out of the slot too easily. In the space below use sketches and notes to show a modification to the tongue that will prevent it from coming out of the slot. [3]

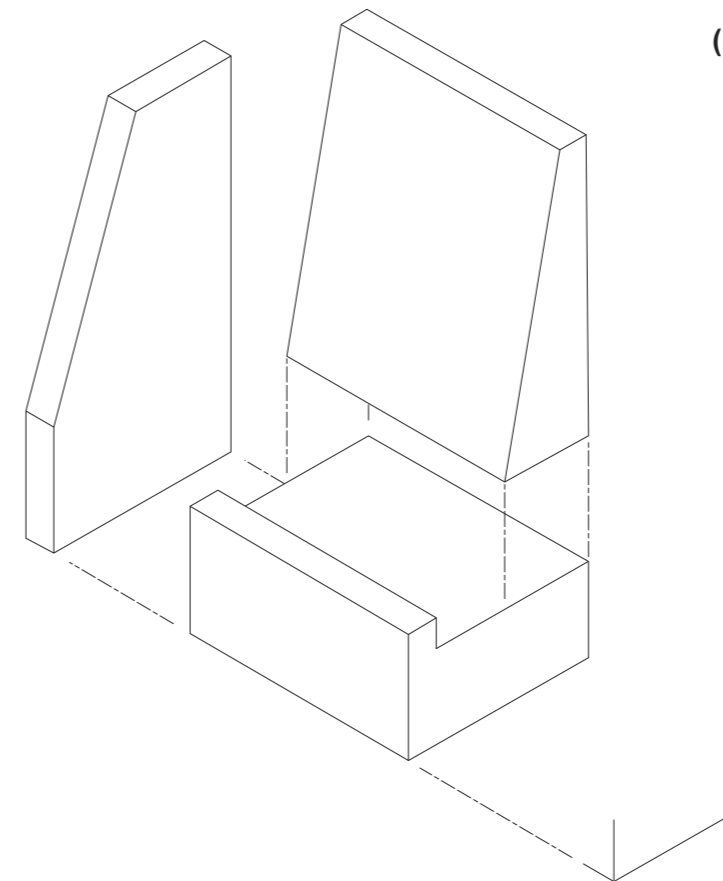
(c) Another design for a mobile phone holder is shown below. This mobile phone holder is to be made from Styrofoam.

- (i) Apply thick and thin line technique to the mobile phone holder. [4]
- (ii) Render the mobile phone holder to look like Styrofoam. [2]



(d) The mobile phone holder is made from four blocks of Styrofoam as shown below.

(i) Complete the exploded isometric view of the mobile phone holder below by adding the missing side piece. [4]

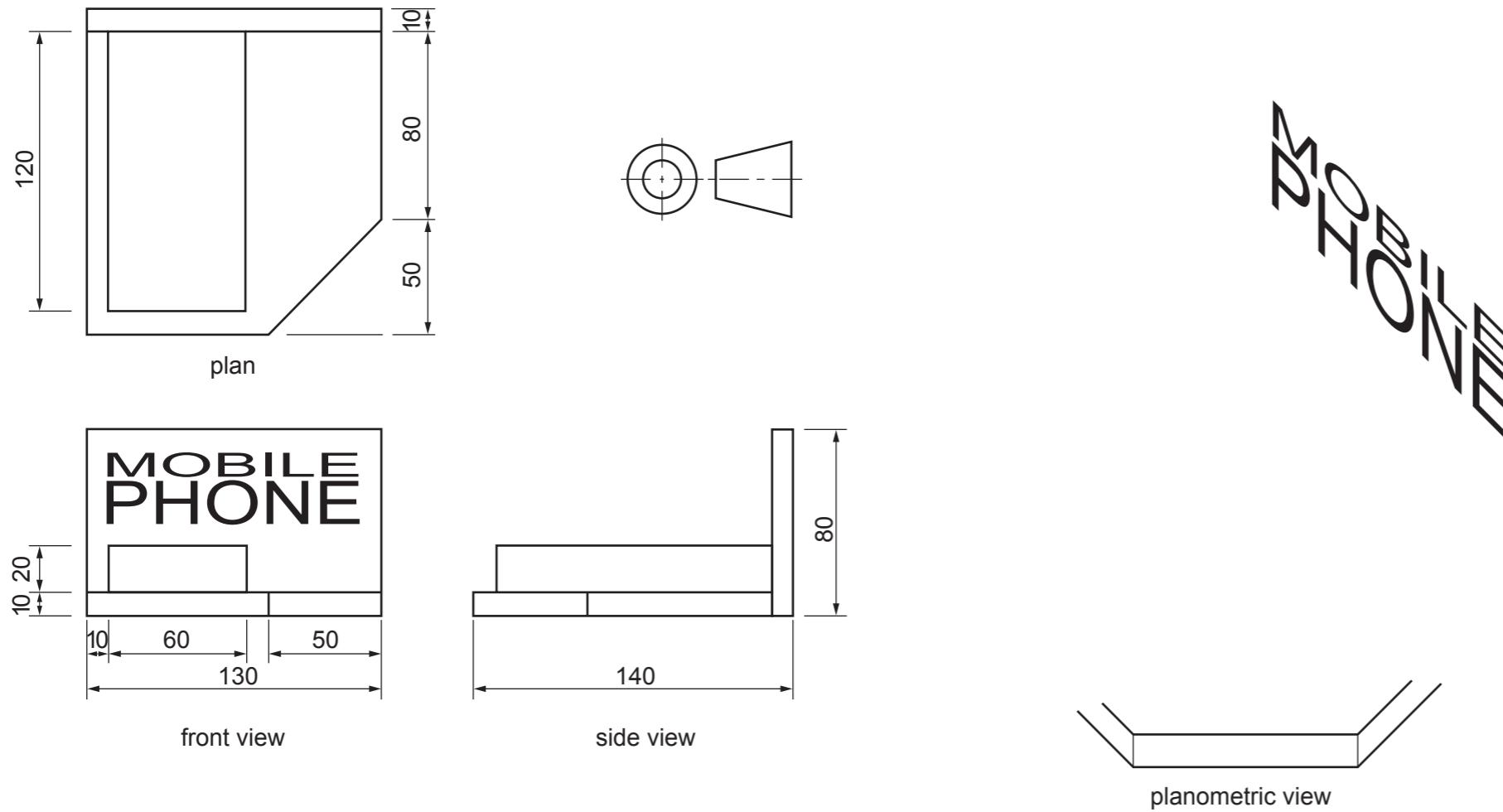


(ii) Name a suitable adhesive for joining the Styrofoam blocks together. [1]

..... [1]

For Examiner's use

**B5** Orthographic views of a point of sale display stand for the mobile phone are shown below.



(a) Complete the planometric view of the point of sale display stand to a scale of 1:2. [10]

(b) The back of the point of sale display is made from foamboard. The foamboard is to be cut out by hand.

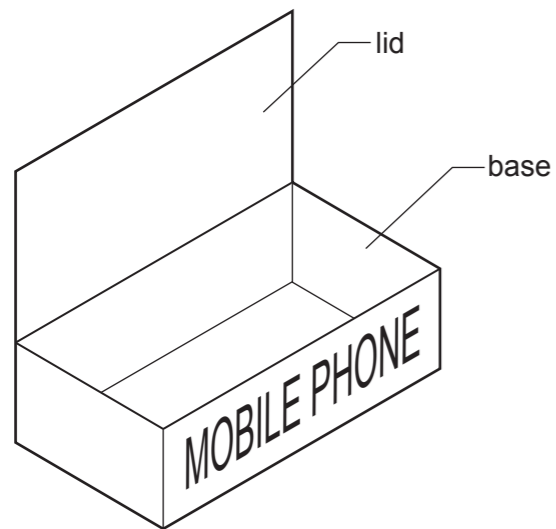
(i) List **three** tools/items of equipment needed to cut the foamboard to shape.

- 1 .....
- 2 .....
- 3 ..... [3]

(ii) The MOBILE PHONE lettering is produced using a computer. Describe **one** method that could be used to transfer the lettering from the computer onto the foamboard.

- .....
- .....
- .....
- ..... [2]

(c) An open package for the mobile phone is shown below.



In the space to the right complete the estimated two-point perspective view of the open mobile phone package.

[10]

