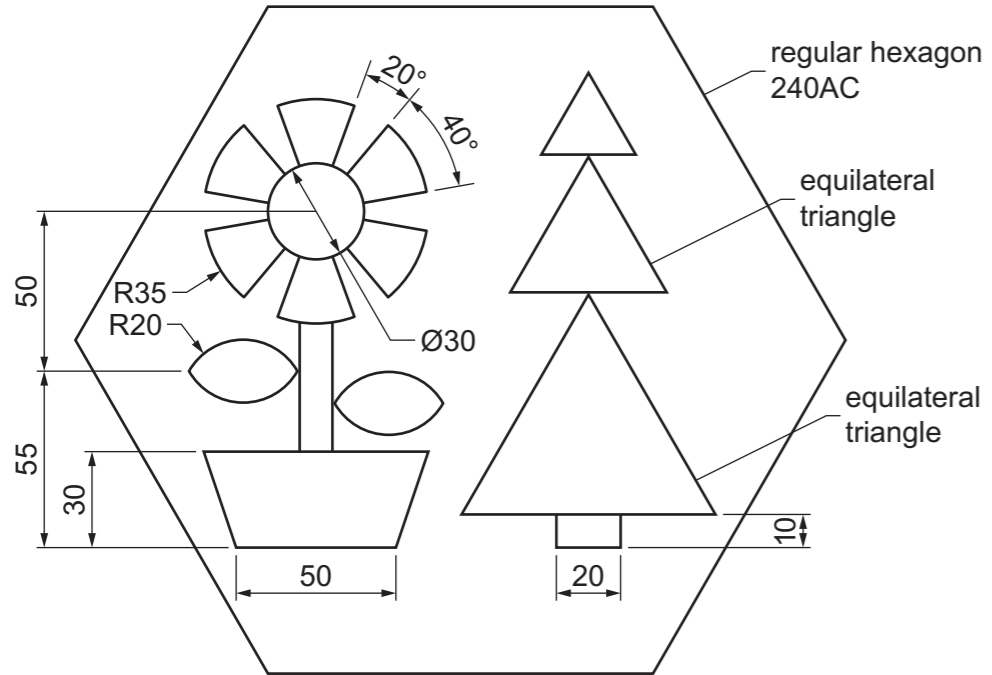


Section A

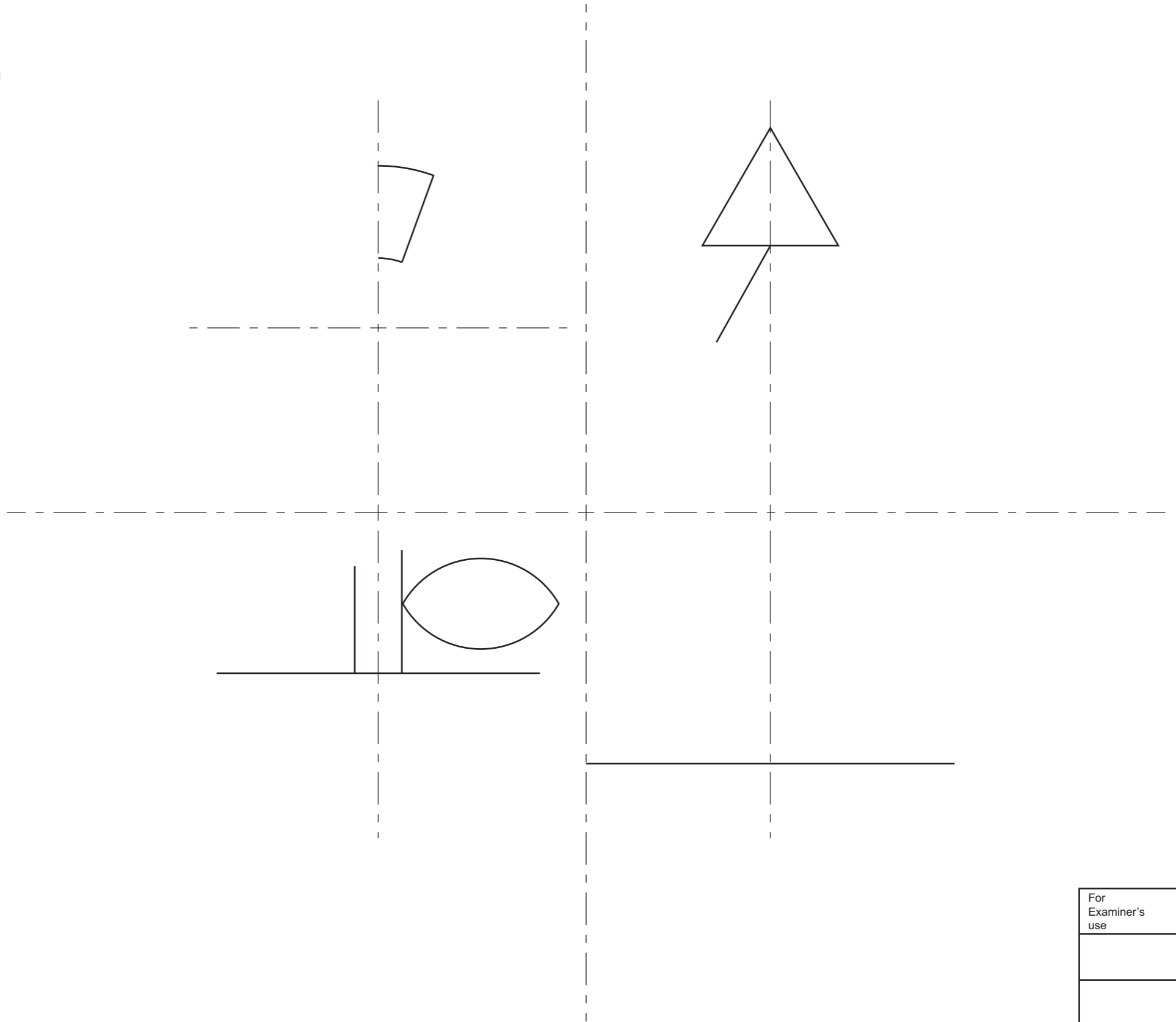
Answer **all** questions in this section.

A1 A logo for a garden centre is shown below.



Complete the full-size drawing of the logo in the space provided to the right by adding:

- (a) the missing base of the tree [2]
- (b) two missing triangles on the tree [3]
- (c) the missing parts of the plant pot [2]
- (d) the missing leaf [2]
- (e) the missing flower head [5]
- (f) the missing outer hexagon. [3]



0445/51 Oct/Nov 2022 **1 hour**
© UCLES 2022 DC (EF) 315417

Centre Number

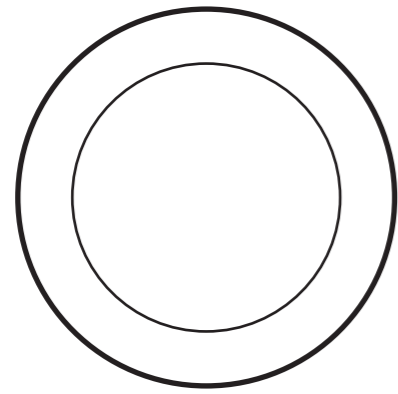
Candidate Number

Candidate Name

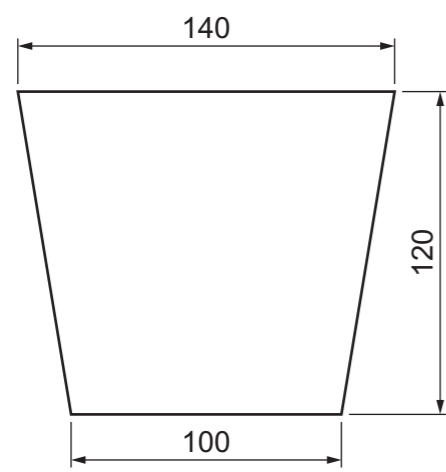
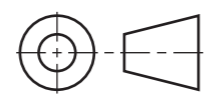
[Turn over]

For Examiner's use

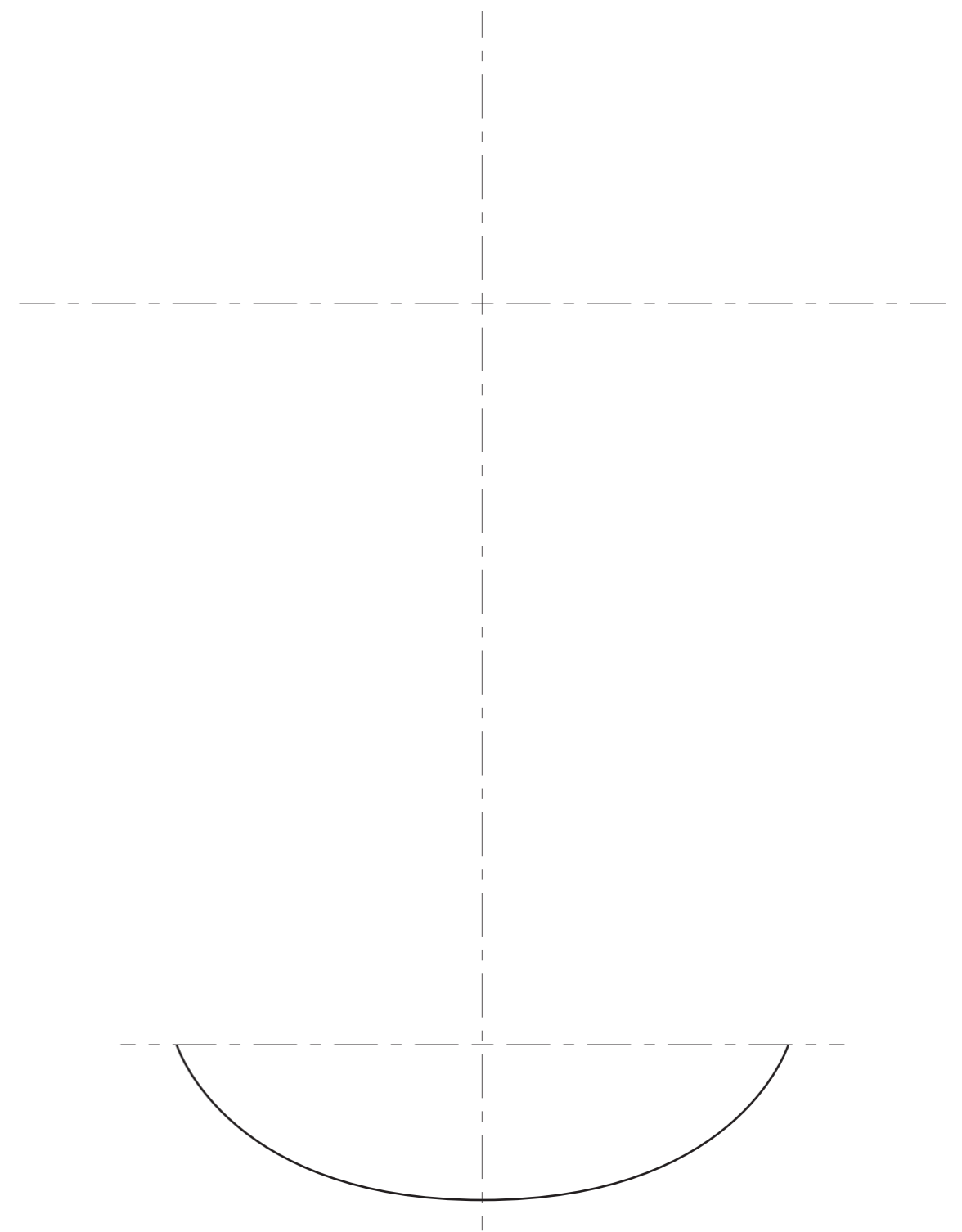
A2 Orthographic views of a plastic plant pot from the garden centre are shown below.



plan



front view



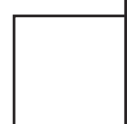
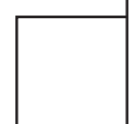
Complete the full-size drawing of the plant pot in the space provided to the right by adding:

- (a) the top ellipse:
Major axis 140
Minor axis 80 [6]
- (b) the sides of the plant pot. [1]

A3 The plant pot is made from one piece of thin plastic sheet.

State **one** method that could be used to manufacture the plant pot.

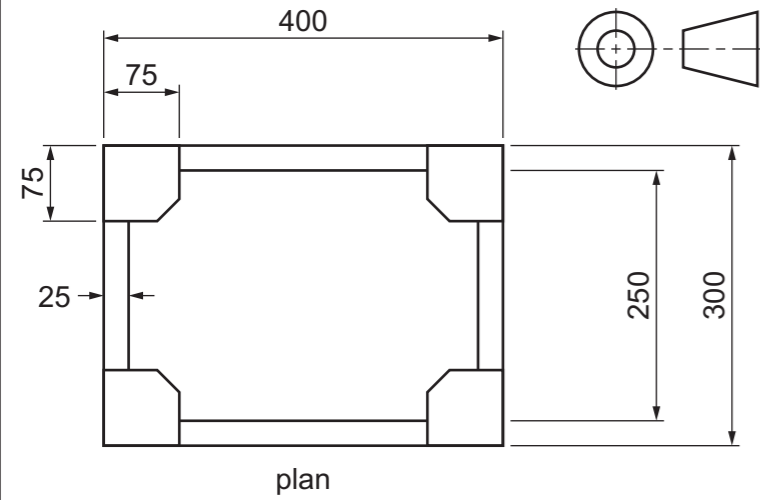
..... [1]



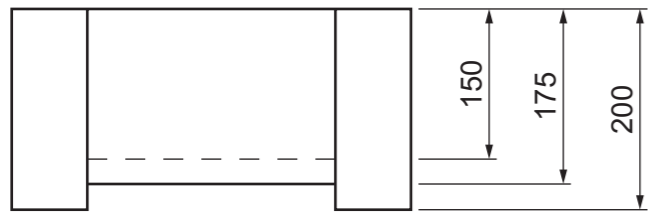
Section B

Answer **one** question, **either** question **B4** or **B5**, from this section.

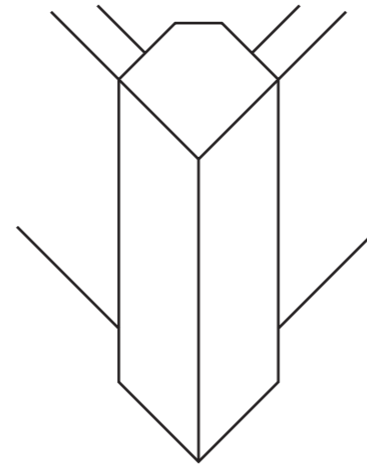
B4 Orthographic views of a garden container are shown below.



plan



front view



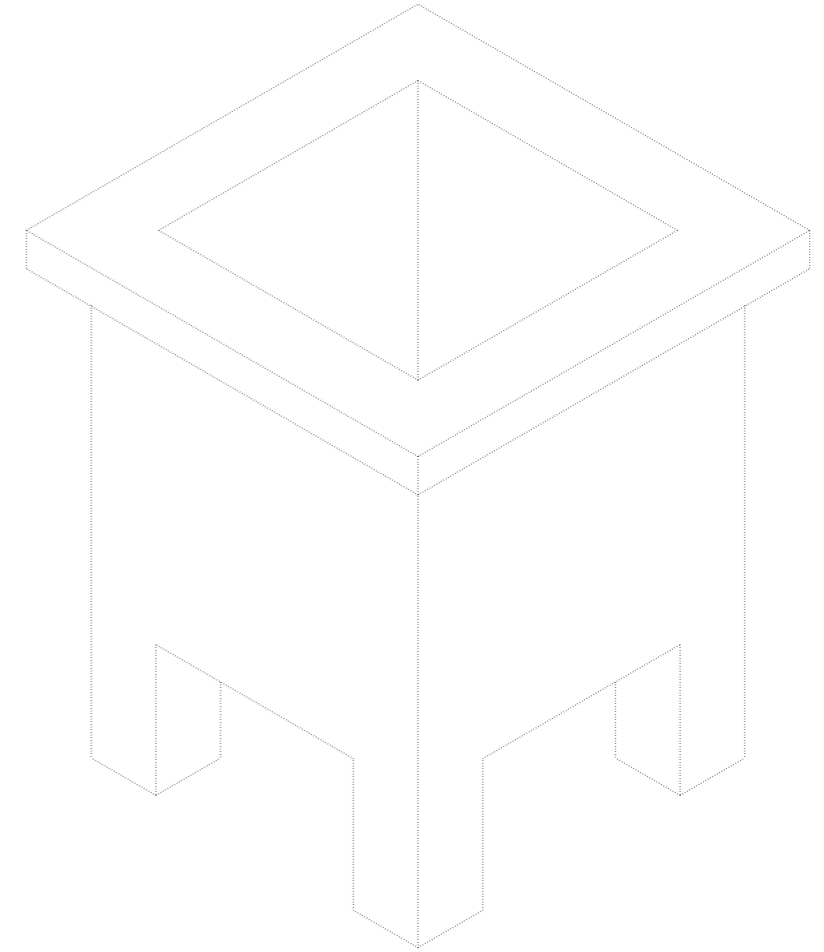
planometric view

(a) Complete the planometric view of the garden container to a scale of 1:5.

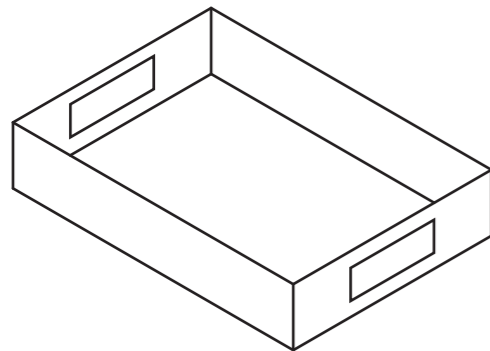
[14]

(b) Another type of garden container is shown below.

Apply thick and thin line technique to the garden container. [4]

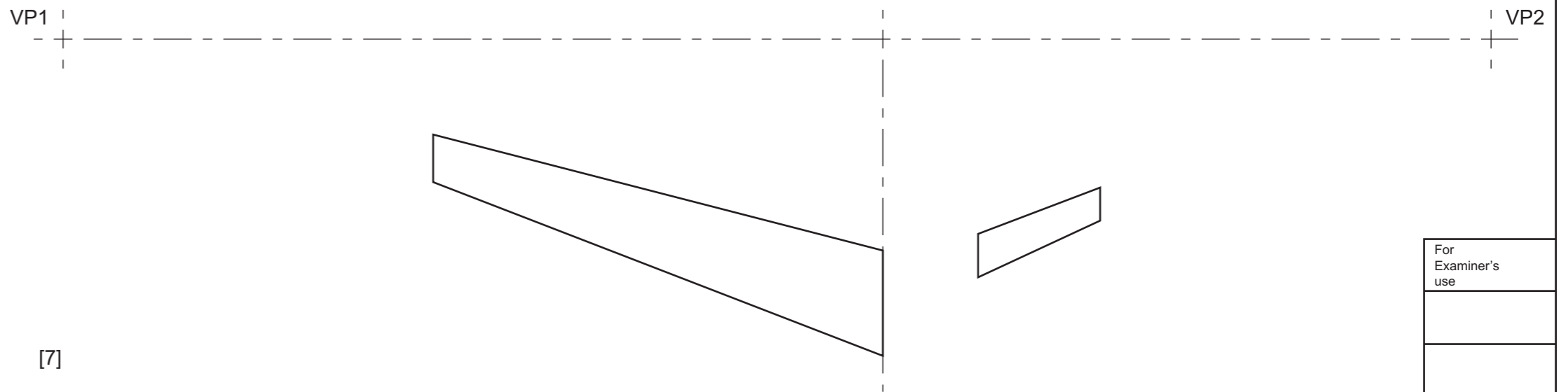


(c) A tray for carrying plants is shown below.



Complete the estimated two-point perspective view of the tray.

[7]



0445/51 Oct/Nov 2022 **1 hour**
© UCLES 2022 DC (EF) 315417

Centre Number

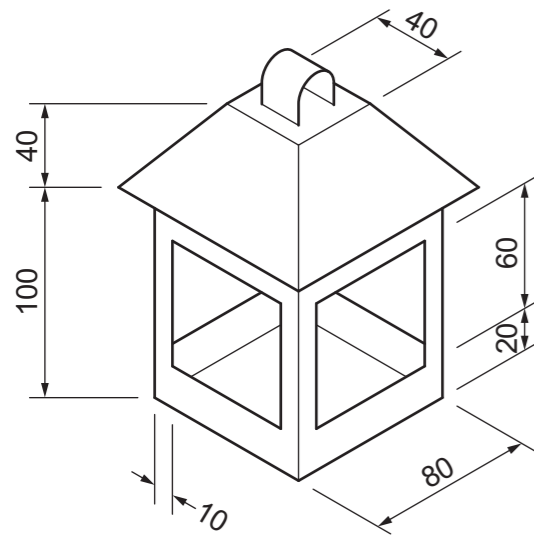
Candidate Number

Candidate Name

[Turn over

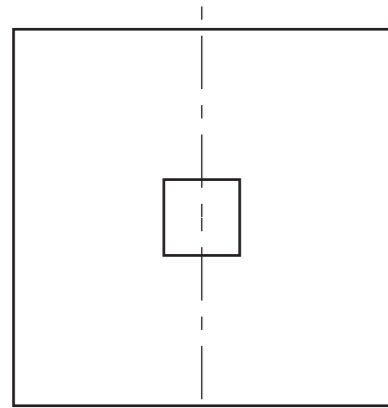
For Examiner's use

B5 A garden lantern is shown below.



(a) Complete the orthographic views of the garden lantern to a scale of 1:2.

[10]



plan



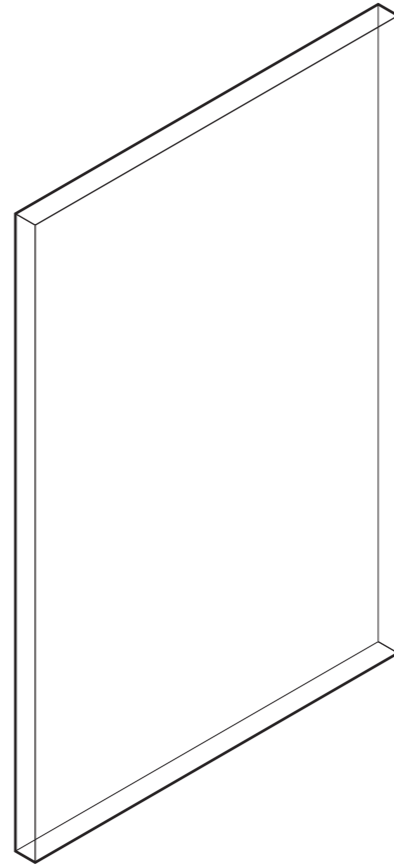
front view

(b) The garden lantern has four pieces of 2 mm glass which fit inside the metal frame.

One of the glass pieces is shown below.

Render the drawing to make it look like glass.

[2]

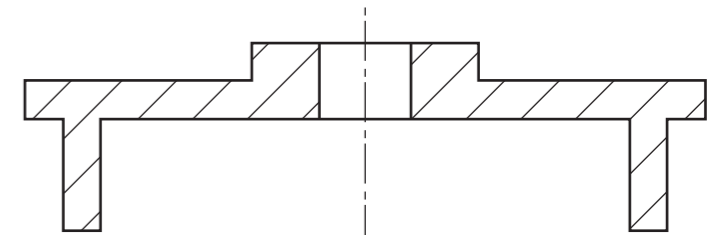
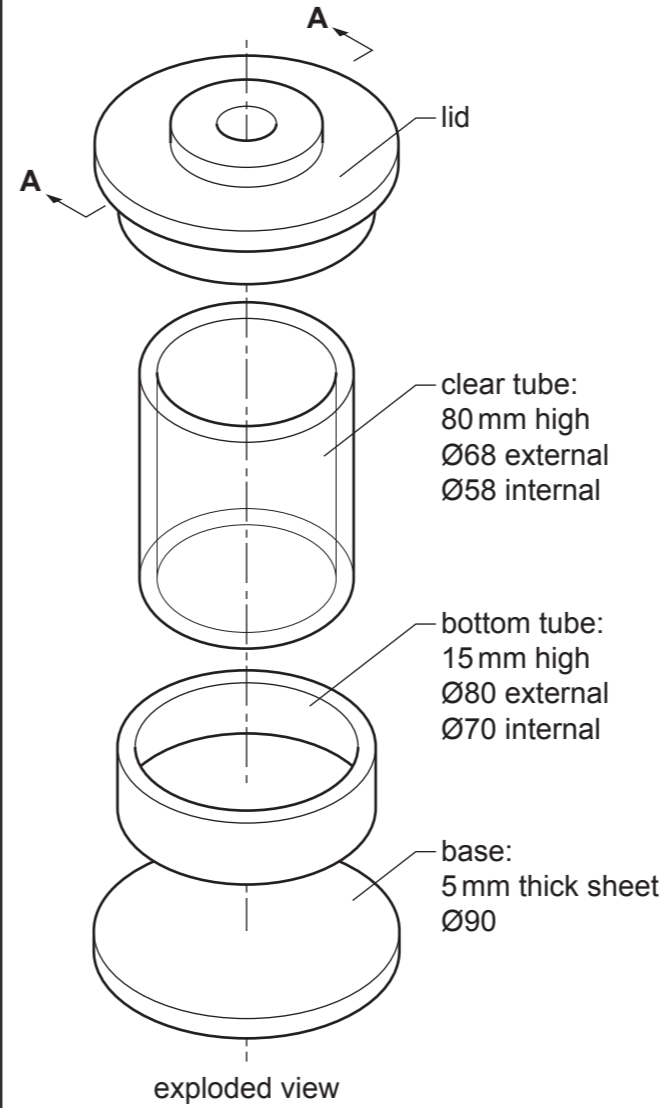


(c) An exploded view of another garden lantern is shown below.

The garden lantern is made from four separate pieces of acrylic.

Complete the sectional view **A-A** of the assembled lantern below.

[8]



sectional view **A-A**

(d) A laser cutter will be used to make the acrylic base of the garden lantern in part (c).

(i) Explain why **only** the base of the garden lantern could be made by using a laser cutter.

.....

 [2]

(ii) State **one** suitable adhesive that could be used to join the acrylic parts of the garden lantern together.

..... [1]

(iii) A 'TOXIC' symbol is used on the packaging of many adhesives to warn people to be careful when using them.

Draw a symbol used to show something is 'TOXIC' in the space below.

[2]