



UNIVERSITY OF CAMBRIDGE INTERNATIONAL EXAMINATIONS
International General Certificate of Secondary Education

GEOGRAPHY

0460/43

Paper 4 Alternative to Coursework

October/November 2010

INSERT

1 hour 30 minutes

READ THESE INSTRUCTIONS FIRST

This Insert contains Photographs A and B, and Figs 3 and 5 for Question 1.

This document consists of **3** printed pages and **1** blank page.



Photograph A for Question 1



Photograph B for Question 1



3

Fig. 3 for Question 1

Measuring equipment

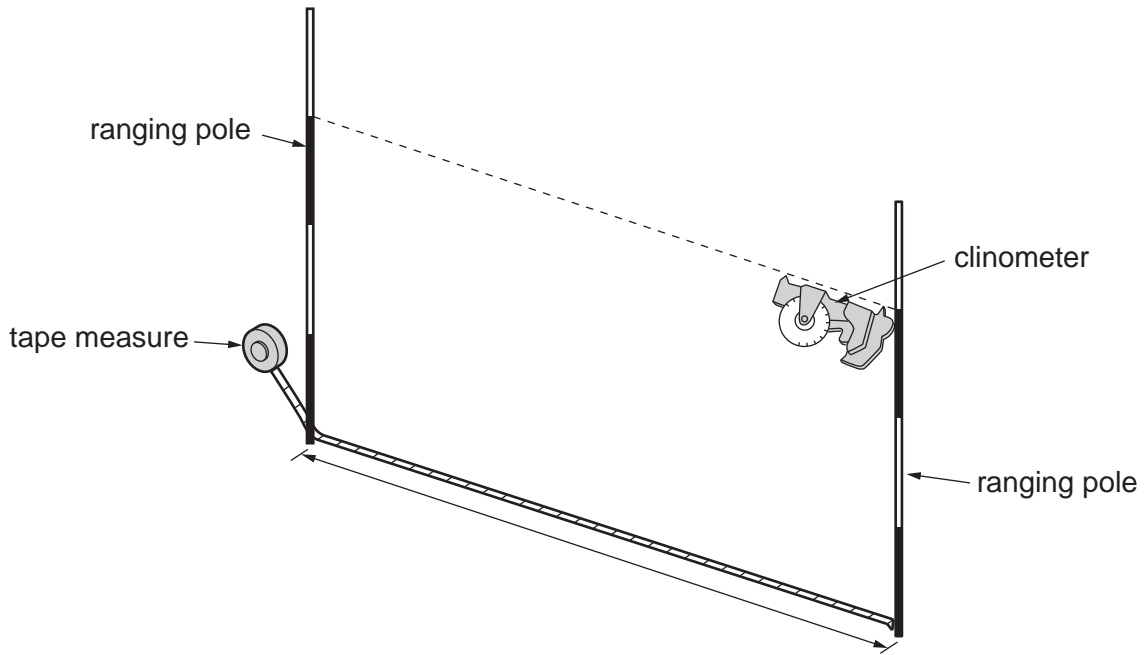


Fig. 5 for Question 1

Textbook example

