



**Cambridge International Examinations**  
Cambridge International General Certificate of Secondary Education

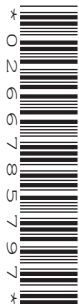
CANDIDATE  
NAME

CENTRE  
NUMBER

--	--	--	--	--

CANDIDATE  
NUMBER

--	--	--	--



**PHYSICAL SCIENCE**

**0652/62**

Paper 6 Alternative to Practical

**October/November 2018**

**1 hour**

Candidates answer on the Question Paper.

No Additional Materials are required.

**READ THESE INSTRUCTIONS FIRST**

Write your Centre number, candidate number and name on all the work you hand in.

Write in dark blue or black pen.

You may use an HB pencil for any diagrams or graphs.

Do not use staples, paper clips, glue or correction fluid.

**DO NOT WRITE IN ANY BARCODES.**

Answer **all** questions.

Electronic calculators may be used.

You may lose marks if you do not show your working or if you do not use appropriate units.

At the end of the examination, fasten all your work securely together.

The number of marks is given in brackets [ ] at the end of each question or part question.

This document consists of **20** printed pages and **4** blank pages.

- 1 A student is given four colourless solutions **H**, **J**, **K** and **L**. Each solution is one of the following but it is not known which solution is which.

aqueous barium nitrate  
 dilute hydrochloric acid  
 aqueous sodium hydroxide  
 aqueous zinc sulfate

The student tests the solutions to identify them.

- He places 1 cm depth of solution **J** in a test-tube and slowly adds solution **H** until it is in excess.
- He records his observations in Table 1.1.
- He repeats the above process for the next five pairs of solutions shown in Table 1.1.

**Table 1.1**

1 cm depth of solution	solution added slowly until in excess	observations
<b>J</b>	<b>H</b>	white ppt. which then disappears with excess <b>H</b> forming a colourless solution
<b>K</b>	<b>H</b>	no visible reaction
<b>L</b>	<b>H</b>	no visible reaction but test-tube becomes warmer
<b>K</b>	<b>J</b>	white ppt.
<b>L</b>	<b>J</b>	no visible reaction
<b>L</b>	<b>K</b>	no visible reaction

- (a) (i) Using the observations in Table 1.1, identify solutions **H** and **J**. Explain your answers.

**H** is .....

**J** is .....

explanation .....

.....

[3]

(ii) State and explain which reaction shown in Table 1.1 is exothermic.

.....  
 ..... [1]

(iii) State which anion is tested for using barium nitrate solution.

Hence identify which of **H**, **J**, **K** and **L** is the barium nitrate solution.

barium nitrate tests for .....

barium nitrate is solution .....

[2]

(b) The student decides to add marble chips (calcium carbonate) to each of the four solutions.

In each case, he bubbles any gas produced through limewater.

(i) Draw a labelled diagram of the apparatus and chemicals used in this test.

[2]

(ii) State which of the four solutions **H**, **J**, **K** and **L** will give a positive result in this test.

State the observation for a positive result.

name of solution .....

observation .....

..... [2]

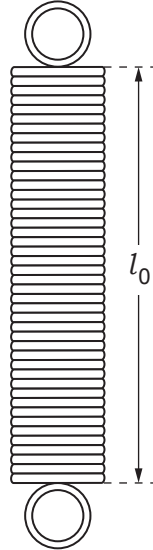
[Total: 10]

**[Turn over**

**BLANK PAGE**

- 2 A student measures the length  $l$  of a spring when different loads  $L$  are added to it. She then uses the spring to find the density of a stone.
- (a) • She measures the length  $l_0$  of the unstretched spring to the nearest 0.1 centimetre.

Fig. 2.1 shows the unstretched spring.

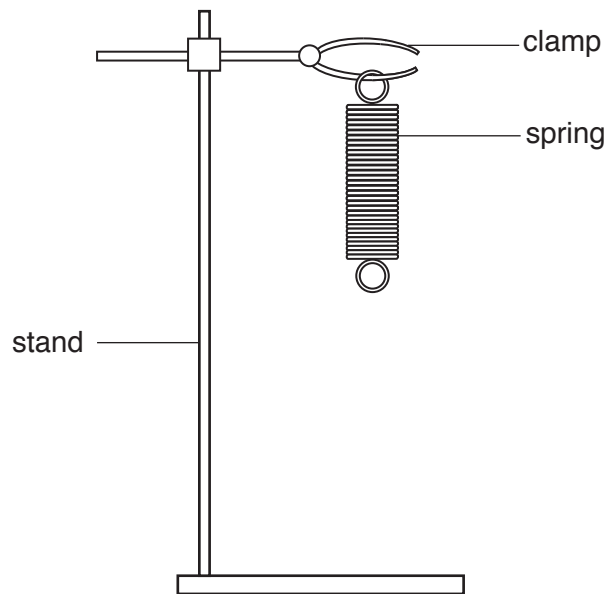


**Fig. 2.1**

Measure the length  $l_0$  of the unstretched spring.

$l_0 = \dots\dots\dots$  cm [1]

- (b) • The student sets up the spring in a clamp, as shown in Fig. 2.2.



**Fig. 2.2**

- She hangs a load  $L$  of 1.0N on the spring.
- She measures the new length  $l$  of the spring to the nearest 0.1 centimetre.
- She records the load  $L$  and the length  $l$  in Table 2.1.
- She repeats this procedure with loads of 2.0N, 3.0N, 4.0N and 5.0N to complete Table 2.1.

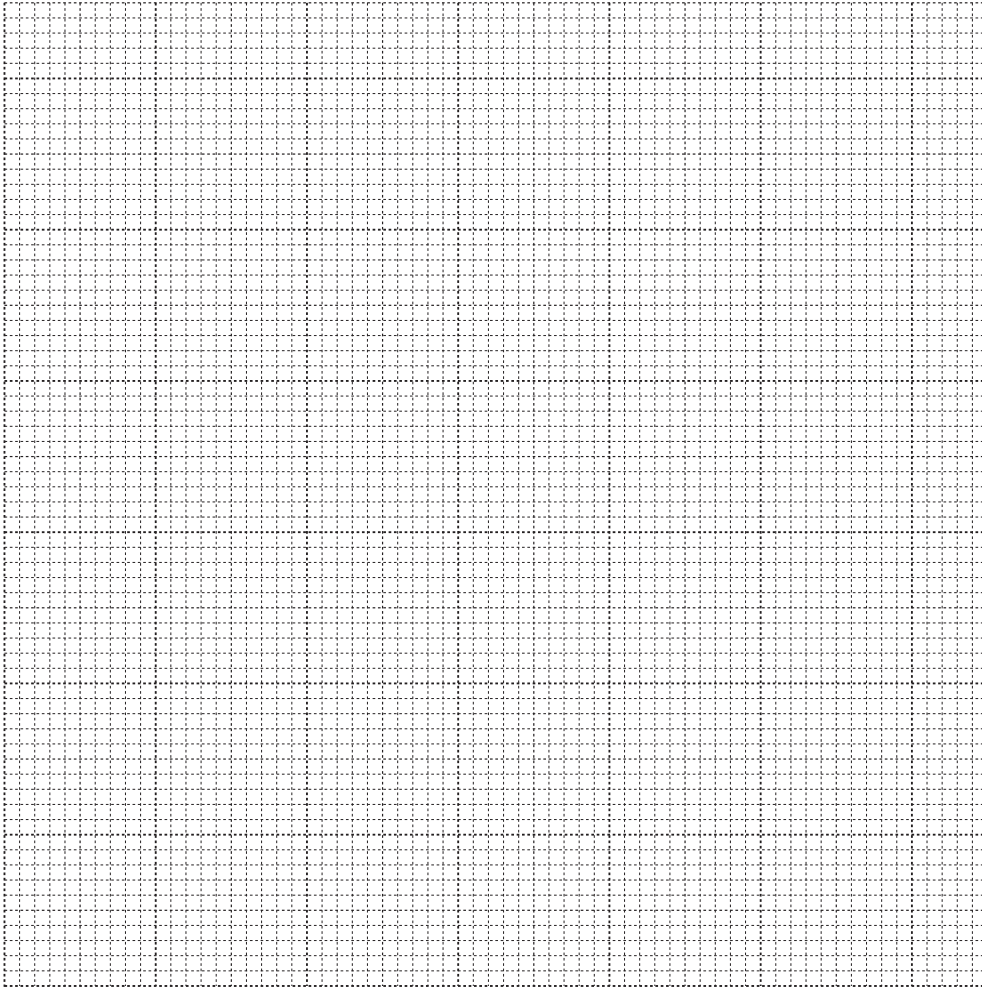
**Table 2.1**

load $L$ /N	spring length $l$ /cm
1.0	9.4
2.0	13.5
3.0	17.5
4.0	21.7
5.0	25.6

- (i) State how the student makes sure that the length  $l$  of the stretched spring is measured as accurately as possible.

.....  
 .....[1]

- (ii) On the grid provided, plot a graph of length  $l$  (vertical axis) against load  $L$ . Start both axes from the origin (0,0). [3]
- (iii) Draw the best-fit straight line. [1]



- (c) (i) Use your graph to determine the unstretched length  $l_0$  of the spring.

$$l_0 = \dots\dots\dots \text{ cm [1]}$$

- (ii) State how your value determined in (c)(i) compares with your measured value in (a).

Suggest a reason for any difference or similarity.

.....  
 .....[1]

- (d)
- The student now removes the mass from the spring.
  - She attaches a stone of unknown weight to the spring.
  - She measures the stretched length  $l_A$  of the spring.
  - She records her answer as shown in Fig. 2.3.

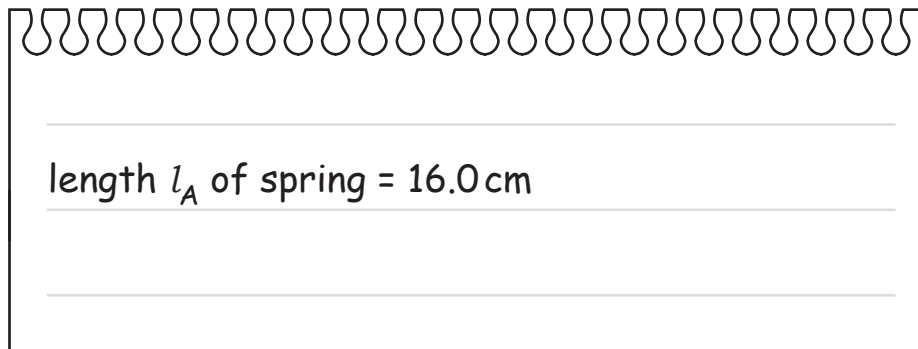


Fig. 2.3

Use the student's record of length  $l_A$  and your graph in (b) to determine the weight of the stone.

Show on your graph how you obtained your answer.

weight of stone = ..... N [1]

- (e)
- The student now places a beaker of water under the stone.
  - She lowers the clamp until the stone is completely immersed in the water, as shown in Fig. 2.4.

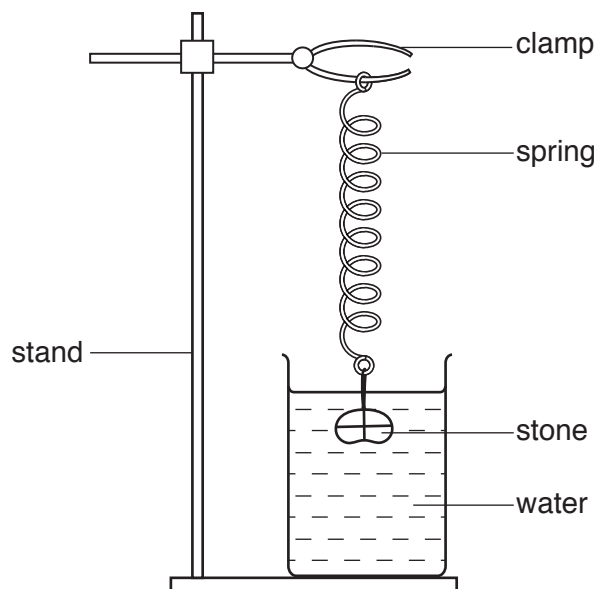


Fig. 2.4



9

- She measures the stretched length  $l_W$  of the spring.
- She records her answer as shown in Fig. 2.5.



Fig. 2.5

Calculate the density  $\rho$  of the stone using the student's answers and your answer to (a). Use the equation shown.

$$\rho = \frac{(l_A - l_0)}{(l_A - l_W)}$$

$$\rho = \dots\dots\dots \text{g/cm}^3 \text{ [1]}$$

[Total: 10]

3 A student investigates the reaction between solution **M** and solid **N**.

She also carries out tests to identify **M** and **N**.

She observes that solution **M** is blue-green and solid **N** is grey at the start of her investigation.

(a) (i) The student adds **excess** of a reagent to solution **M** and obtains a blue precipitate.

She concludes that **M** contains  $\text{Cu}^{2+}$  ions.

Name the reagent that she uses.

reagent .....[1]

(ii) To another sample of solution **M**, the student adds dilute nitric acid, followed by drops of silver nitrate solution.

She observes a white precipitate.

Identify the anion in solution **M**.

anion in **M** is .....[1]

(b) When the student adds water to solid **N**, there is no reaction and **N** does not dissolve.

However when dilute hydrochloric acid is added to **N**, the student observes a few bubbles.

She increases the rate of production of bubbles and tests the gas with a lighted splint. She hears a small explosion.

(i) Describe how the student increases the rate of production of bubbles.

.....  
 .....[1]

(ii) The student concludes that solid **N** is a metal.

State what the student is able to conclude about the reactivity of this metal.

Explain how the observations lead to the conclusion.

conclusion about reactivity .....  
 .....  
 explanation .....  
 .....

[2]

(c) The student filters the mixture from the reaction between **N** and acid in (b).

To the filtrate, she adds sodium hydroxide solution until it is in excess.

From her observations, she is able to conclude that the filtrate contains iron(II) ions.

(i) Draw a diagram of the apparatus that the student uses for filtration.

Label the filtrate.

[2]

(ii) Describe the observation that allows the student to identify iron(II) ions in the filtrate.

.....  
.....[1]

(d) She adds a large sample of solid **N** to a small volume of solution **M** and stirs well.

After some time the solid becomes brown.

(i) Suggest why the solid becomes brown.

.....  
.....  
.....[1]

(ii) Suggest the final colour of the solution.

.....[1]

[Total: 10]

- 4 A student investigates how the power  $P$  produced by a lamp is related to the length  $l$  of resistance wire in series with the lamp.

He sets up the circuit shown in Fig. 4.1.

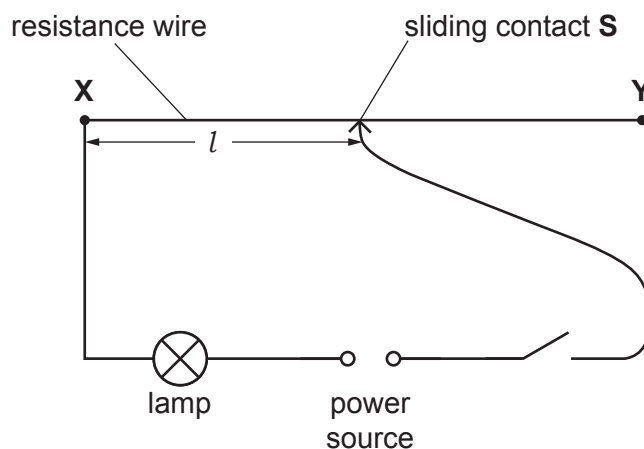


Fig. 4.1

- (a) The student connects a voltmeter and an ammeter to measure the potential difference across the lamp and the current through the lamp.

He switches on the circuit and places the sliding contact **S** at a distance  $l = 20.0$  cm from end **X**.

He records the readings on the voltmeter and the ammeter.

He repeats this procedure for values of  $l = 40.0$  cm,  $60.0$  cm and  $80.0$  cm. His results are shown in Table 4.1 on page 13.

- (i) Complete the circuit diagram shown in Fig. 4.2 to show the voltmeter and the ammeter connected to measure the potential difference across the lamp and the current through the lamp. [2]

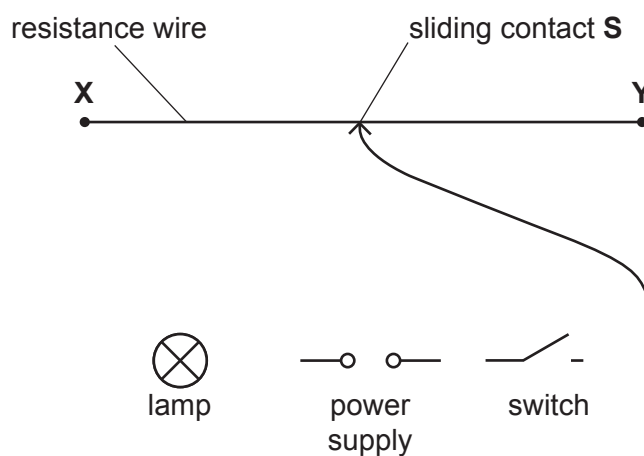


Fig. 4.2

- (ii) Fig. 4.3 shows the scales on the voltmeter and the ammeter for  $l = 20.0$  cm.

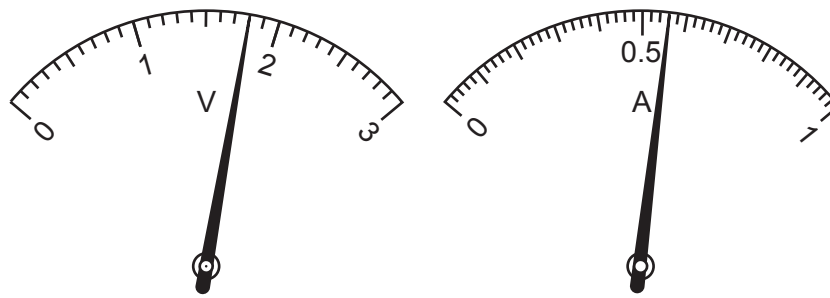


Fig. 4.3

Record the meter readings in Table 4.1.

[2]

Table 4.1

$l/\text{cm}$	$V/V$	$I/A$	$P/W$
20.0	.....	.....	.....
40.0	1.6	0.47	0.75
60.0	1.4	0.36	0.50
80.0	1.3	0.24	0.31

- (b) Calculate the power  $P$  produced by the lamp when  $l = 20.0$  cm. Use the equation shown.

$$P = V \times I$$

Record your answer in Table 4.1 to a suitable number of significant figures.

[2]

- (c) Suggest **one** safety precaution that the student should take when carrying out this experiment.

.....[1]

- (d) Use the results in Table 4.1 to predict what happens to the brightness of the lamp as the length of resistance wire increases.

.....

.....[1]

- (e) The student suggests that the power produced by the lamp is inversely proportional to the length of resistance wire in the circuit.

State whether you agree with the student's suggestion.

Use the results in Table 4.1 to justify your answer.

statement .....

justification .....

.....

.....

[1]

- (f) The student repeats the experiment using the same lengths of resistance wire as before.

He observes that the values of potential difference and current for each length of wire are slightly different from the values in Fig. 4.1.

Suggest a practical reason for this observation.

.....

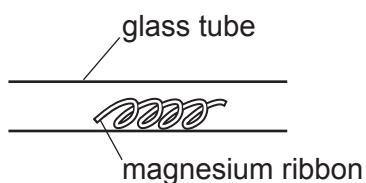
.....[1]

[Total: 10]

**Please turn over for Question 5.**

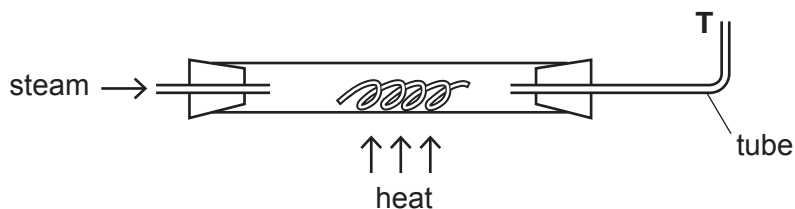
5 A student investigates the reaction between magnesium and steam,  $\text{H}_2\text{O}$ .

- She weighs a hard glass tube containing a coil of magnesium ribbon arranged as shown in Fig. 5.1.



**Fig. 5.1**

- She records the mass in Table 5.1.
- She connects the apparatus as shown in Fig. 5.2.



**Fig. 5.2**

- She heats the magnesium in the tube and passes steam over it.

The gases leave the apparatus through the tube shown in Fig. 5.2.

- She places a lighted splint at the end of the tube by **T** shown in Fig. 5.2.
- She records her observations in Table 5.2.
- She allows the apparatus to cool, disconnects it and reweighs the glass tube and its contents.
- She records the new mass in Table 5.1.

**Table 5.1**

mass of glass tube and magnesium before heating / g	65.32
mass of glass tube and contents after heating / g	66.65



Table 5.2

appearance of magnesium before heating	shiny grey ribbon
appearance of contents of tube after heating	white powder
effect of lighted splint at T	gas burns with a blue flame

- (a) (i) Suggest **one** safety precaution that the student should take when carrying out this experiment.

Explain why this safety precaution is necessary.

safety precaution .....

.....

reason .....

.....

[1]

- (ii) Explain why it is necessary to allow the glass tube to cool before reweighing it.

.....

.....[1]

- (b) (i) Use the data in Table 5.1 to calculate the change in mass of the contents of the tube before and after heating.

change in mass = ..... g [1]

- (ii) Use the observations in Table 5.2 and your answer in (b)(i) to suggest what causes the change in mass.

.....

.....[1]

- (iii) Suggest an identity for the gas which burns on leaving the apparatus.

gas ..... [1]

- (iv) Use your answers to (b)(ii) and (iii) to suggest what type of reaction takes place in the tube.

.....[1]

- (v) Suggest why this apparatus is unsuitable if the magnesium is replaced by sodium.

.....  
.....[1]

- (c) • The student scrapes the white solid formed in the glass tube into a beaker and adds water.
- She stirs the mixture, which is milky white.
  - She tests one portion of the mixture with Universal indicator.
  - The indicator shows the presence of an alkali.
  - To another portion of the mixture she adds dilute nitric acid and stirs. The mixture becomes a colourless solution.

- (i) Suggest the pH value of the milky white mixture.

.....[1]

- (ii) Explain why the milky white mixture becomes a colourless solution when nitric acid is added.

.....  
.....  
.....[2]

[Total: 10]

6 A student investigates how the size of the force needed to lift a bar magnet from an iron block varies with the distance of the magnet from the iron block.

- She attaches the iron block to a piece of wood with strong adhesive.
- She clamps the wood to the laboratory bench.
- She places the magnet on the iron block.
- She attaches the magnet to a newton meter.

The arrangement of apparatus is shown in Fig. 6.1.

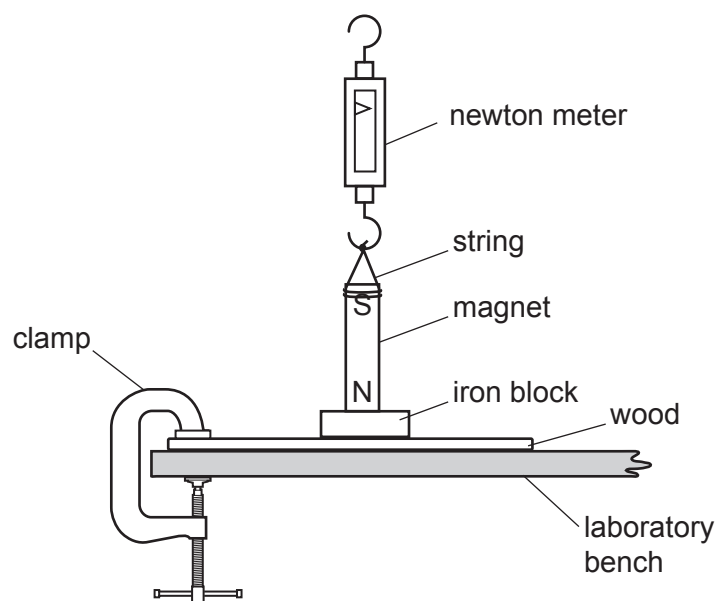


Fig. 6.1

- The student measures the minimum vertical force  $F$  needed to pull the newton meter away from the iron block.
- (a) The student pulls the newton meter slowly to measure  $F$  as accurately as possible.

(i) State why it is difficult to measure  $F$  accurately.

.....  
 .....[1]

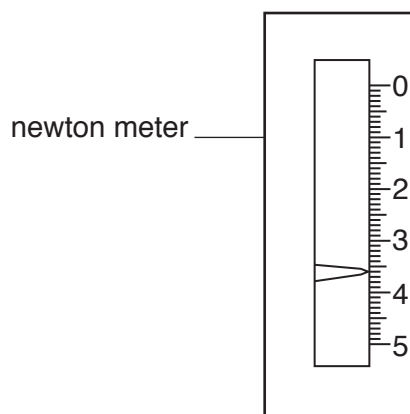
(ii) In addition to pulling the newton meter slowly, suggest **two** other things that the student could do to obtain a more reliable reading for  $F$ .

1 .....

2 .....

[2]

- (b) The diagram in Fig. 6.2 shows the reading on the newton meter when the magnet is just pulled clear of the iron block.



**Fig. 6.2**

Read and record the reading on the newton meter. Include the unit symbol in your answer. Add your reading to Table 6.1.

reading on newton meter = .....

unit symbol = .....

[2]

- (c) The student now investigates how the reading of the force needed to pull the magnet away from the block changes when the distance from the block is increased.

- She places a sheet of paper on top of the iron block.
- She places the magnet on top of the piece of paper.
- She measures the minimum force needed to pull the newton meter away from the block and paper.
- She repeats the procedure, adding more sheets of paper.

Her results are shown in Table 6.1.

**Table 6.1**

number of sheets of paper $n$	reading of minimum force $F$ needed to pull newton meter and magnet away from the block
0	.....
1	3.1
2	2.5
3	1.9
4	1.4

Estimate the reading of the minimum force  $F$  needed when 5 sheets of paper are used.

Estimate of reading of the minimum force  $F = \dots\dots\dots$  [1]

(d) The student repeats the experiment using thinner sheets of paper.

(i) State and explain whether the reading of the minimum force needed when 2 sheets of thinner paper are used will be less than, the same as, or greater than 2.5.

The force needed for thinner paper is .....

explanation .....

.....

.....

[1]

(ii) State **one** advantage of using thinner paper in this experiment.

.....

.....[1]

(e) The newton meter shown in Fig. 6.2 has a scale measuring from 0–5.

The newton meter shown in Fig. 6.3, below, has a scale measuring from 0–50.

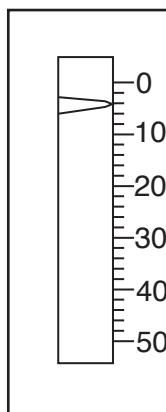


Fig. 6.3

State and explain the effect on the experiment of using the newton meter with a scale of 0–50.

.....

.....

.....[2]

[Total: 10]

BLANK PAGE



**BLANK PAGE**

---

Permission to reproduce items where third-party owned material protected by copyright is included has been sought and cleared where possible. Every reasonable effort has been made by the publisher (UCLES) to trace copyright holders, but if any items requiring clearance have unwittingly been included, the publisher will be pleased to make amends at the earliest possible opportunity.

To avoid the issue of disclosure of answer-related information to candidates, all copyright acknowledgements are reproduced online in the Cambridge International Examinations Copyright Acknowledgements Booklet. This is produced for each series of examinations and is freely available to download at [www.cie.org.uk](http://www.cie.org.uk) after the live examination series.

Cambridge International Examinations is part of the Cambridge Assessment Group. Cambridge Assessment is the brand name of University of Cambridge Local Examinations Syndicate (UCLES), which is itself a department of the University of Cambridge.