



Cambridge International Examinations
Cambridge International General Certificate of Secondary Education

COMBINED SCIENCE

0653/33

Paper 3 Extended Theory

October/November 2016

MARK SCHEME

Maximum Mark: 80

Published

This mark scheme is published as an aid to teachers and candidates, to indicate the requirements of the examination. It shows the basis on which Examiners were instructed to award marks. It does not indicate the details of the discussions that took place at an Examiners' meeting before marking began, which would have considered the acceptability of alternative answers.

Mark schemes should be read in conjunction with the question paper and the Principal Examiner Report for Teachers.

Cambridge will not enter into discussions about these mark schemes.

Cambridge is publishing the mark schemes for the October/November 2016 series for most Cambridge IGCSE[®], Cambridge International A and AS Level components and some Cambridge O Level components.

Page 2	Mark Scheme	Syllabus	Paper
	Cambridge IGCSE – October/November 2016	0653	33

- 1 (a) (i) work done = force \times distance / $F \times d / 300 \times 0.4$;
= 120 ;
J ; [3]
- (ii) 120 (J) ;
allow ecf from (i) [1]
- (b) (i) $KE = \frac{1}{2} mv^2 / \frac{1}{2} \times 0.1 \times (30)^2$;
= 45 (J) ; [2]
- (ii) efficiency = energy out / energy in $\times 100$ (*or equivalent*) ;
= $(45 / 120) \times 100 = 37.5$ (%) ; [2]
- (iii) (slowed down by) air resistance / friction / other reasonable opposing force ; [1]
- 2 (a) (i) stopwatch / timer ; [1]
- (ii) calcium / Ca ; [1]
- (b) *concentration*
higher concentration increases speed / less time for the reaction ;
higher number of particles / particles are closer together ;
(so) particles collide more often ;
temperature
Higher temp increases speed / less time for the reaction ;
particles have more energy / are moving faster ;
(so) particles collide more often / particles collide with more energy /
more successful collisions ; [max 4]
- (c) calcium
magnesium
zinc
iron
copper ;
all 5 correct [1]
- (d) (test-tube **A**) tin is less reactive than magnesium ;
(test-tube **B**) lead is more reactive than copper ; [2]

Page 3	Mark Scheme	Syllabus	Paper
	Cambridge IGCSE – October/November 2016	0653	33

- 3 (a) (i) blood passes through the heart twice for each circuit/there are two circulation paths – one to the lungs and one to the body ; [1]
- (ii) **C** and the aorta ;
takes blood from left ventricle /chamber with the thickest wall / blood has to go greater distance / owtte ; [2]
- (iii) (valves)
prevent backflow of blood ;
(wide lumen)
reduces resistance of blood flow ; [2]
- (b) (i) to supply more oxygen / glucose (to the cells / muscles) ;
for respiration ;
to release / supply more energy (for contraction of muscles) ;
to remove carbon dioxide more quickly ; [max 3]
- (ii) any suitable activity, e.g. walking **and**
activity is more energetic / active / uses more oxygen than sitting but is less energetic / active / uses less oxygen than running ; [1]
- 4 (a) (i)
- | | | | | | | | |
|-----------------|--|--------------|--|-----------|--|-------------|--|
| Gamma radiation | | ultra-violet | | infra-red | | radio waves | |
|-----------------|--|--------------|--|-----------|--|-------------|--|
- infra-red ;
in correct box ; [2]
- (ii) All e/m waves travel at same (high) speed (*in vacuo*) ; [1]
- (b) (i) (matt) black ; *accept* reasonable alternatives that have a deep hue, e.g. deep (or dark) blue
black is a better absorber of i/r ; [2]
- (ii) conduction ;
convection ; [2]
- (iii) water expands on heating ;
heated / hot / warm water less dense than cold, (so rises while cold sinks)
; owtte [2]

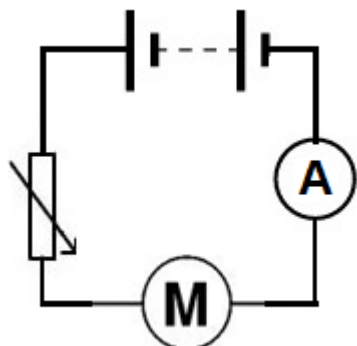
Page 4	Mark Scheme	Syllabus	Paper
	Cambridge IGCSE – October/November 2016	0653	33

- 5 (a) (i) methane ; [1]
- (ii) fossil / non-renewable ;
fractional distillation ; [2]
- (b) C_8H_{18} ;
 C_2H_4 ; [2]
- (c) (i) contains carbon & hydrogen ;
and one of
a compound / molecule ;
only ; [2]
- (ii) C_6H_{12} because (general formula is) C_nH_{2n} / unsaturated / contains a
double bond ; [1]
- (iii) bromine / bromine water ;
(alkanes) no change
and
(alkenes) decolourised ; [2]
- 6 (a) (stamen)
longer / found dangling outside the flower ;
(stigma)
feathery / larger / found outside the flower ; [2]
- (b) slide 1 – no mark
smaller / lighter therefore can be carried by the wind ;
smoother surface therefore less friction / air resistance ; [max 1]
- (c) (i) any two from
increased rate of transpiration (at 27 °C) / more water lost from plant ;
molecules have more (kinetic) energy ; [2]
- (ii) any value less than 1.1 cm because the rate of evaporation / transpiration is
lower in humid conditions ; [1]
- (d) root X – no mark
it has root hair cells ;
larger surface area for absorption of water ; [2]
- (e) traps light energy ;
converts it to chemical energy / glucose ; [2]

Page 5	Mark Scheme	Syllabus	Paper
	Cambridge IGCSE – October/November 2016	0653	33

- 7 (a) (i) 50 (cm) ; [1]
- (ii) maximum displacement (from no displacement to peak) ; [1]

(b)



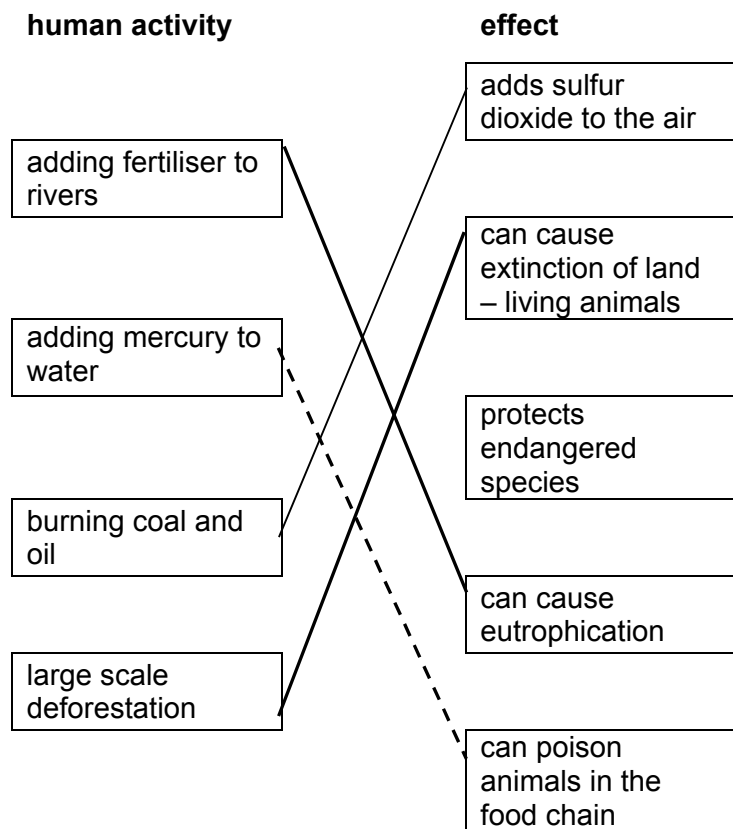
variable resistor symbol ; [3]
 ammeter symbol ;
 all connected in series to form a complete circuit ;

- (c) (i) $R = V \div I / 3 \div 2$; [2]
 $= 1.5 (\Omega)$;
- (ii) power = $V \times I / 3 \times 2$; [2]
 $= 6 \text{ watt(s) / W}$;

- 8 (a) solid at room temp/below melting point ; [2]
 ions must be mobile ;
- (b) ions move towards the anode / positive electrode ; [2]
 ions lose (two) electrons / (two) electrons move to the anode / ions are discharged / become atoms ;
- (c) reduced because it loses oxygen ; [1]
 accept aluminium (ions) gain electrons
- (d) 2 electrons in 1st shell and 8 in 2nd shell ; [1]
- (e) ionic ; [2]
 metal and non-metal combined ;

Page 6	Mark Scheme	Syllabus	Paper
	Cambridge IGCSE – October/November 2016	0653	33

9 (a)



[3]

(b) (i) burning fossil fuels / deforestation ;

[1]

(ii) (explanation of greenhouse gas) absorbs heat / infra-red radiation from the earth ;
 causes the temperature of the atmosphere to rise / global warming carbon dioxide is a greenhouse gas ;
 consequence, e.g. flooding / melting ice caps / changes in weather patterns / avp ;

[3]