



Cambridge International Examinations
Cambridge International General Certificate of Secondary Education

CANDIDATE
NAME

CENTRE
NUMBER

--	--	--	--	--	--

CANDIDATE
NUMBER

--	--	--	--

COMBINED SCIENCE

0653/52

Paper 5 Practical Test

October/November 2016

1 hour 30 minutes

Candidates answer on the Question Paper.

Additional Materials: As listed in the Confidential Instructions.

READ THESE INSTRUCTIONS FIRST

Write your Centre number, candidate number and name on all the work you hand in.

Write in dark blue or black pen.

You may use an HB pencil for any diagrams or graphs.

Do not use staples, paper clips, glue or correction fluid.

DO NOT WRITE IN ANY BARCODES.

Answer **all** questions.

Electronic calculators may be used.

You may lose marks if you do not show your working or if you do not use appropriate units.

Notes for Use in Qualitative Analysis for this paper are printed on page 8.

At the end of the examination, fasten all your work securely together.

The number of marks is given in brackets [] at the end of each question or part question.

For Examiner's Use

1	
2	
3	
Total	

This document consists of **8** printed pages.

- 1 You are going to test a procedure to investigate an enzyme-catalysed reaction.

Hydrogen peroxide is broken down by catalase, an enzyme found in living cells such as celery cells. Oxygen gas is released during the reaction.

Read through the procedure below.

- Use the syringe to place 2 cm^3 of hydrogen peroxide solution in the test-tube. Add a drop of detergent and use the stirring rod to mix well.
- Cut a 1.5 cm length from the middle of the celery stick.
- Cut this 1.5 cm length into approximately 1 mm slices. Now cut these slices in half as shown in Fig. 1.1.

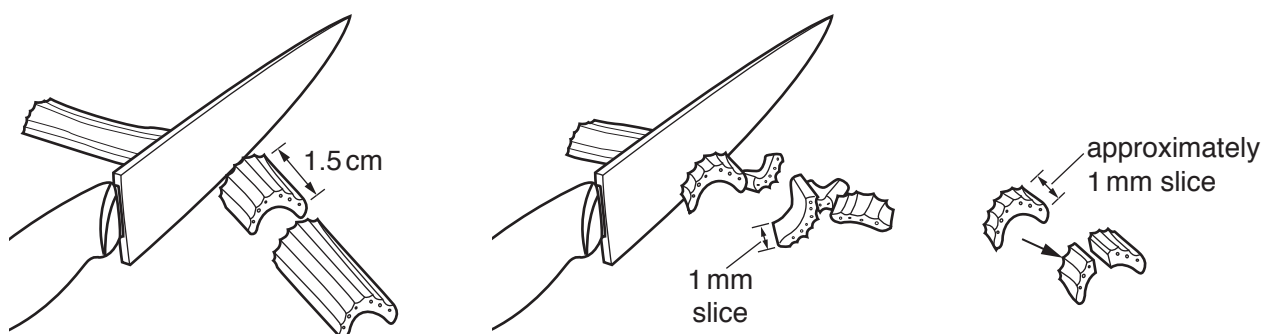


Fig. 1.1 (not to scale)

- Add these pieces to the hydrogen peroxide solution in the test-tube.
 - Use the stirring rod to push the pieces into the solution and **immediately** start the stopwatch.
- (a) In Table 1.1, record the height of the **liquid and bubbles**, to the nearest 0.1 cm, in the test-tube every 2 minutes for 10 minutes. [3]

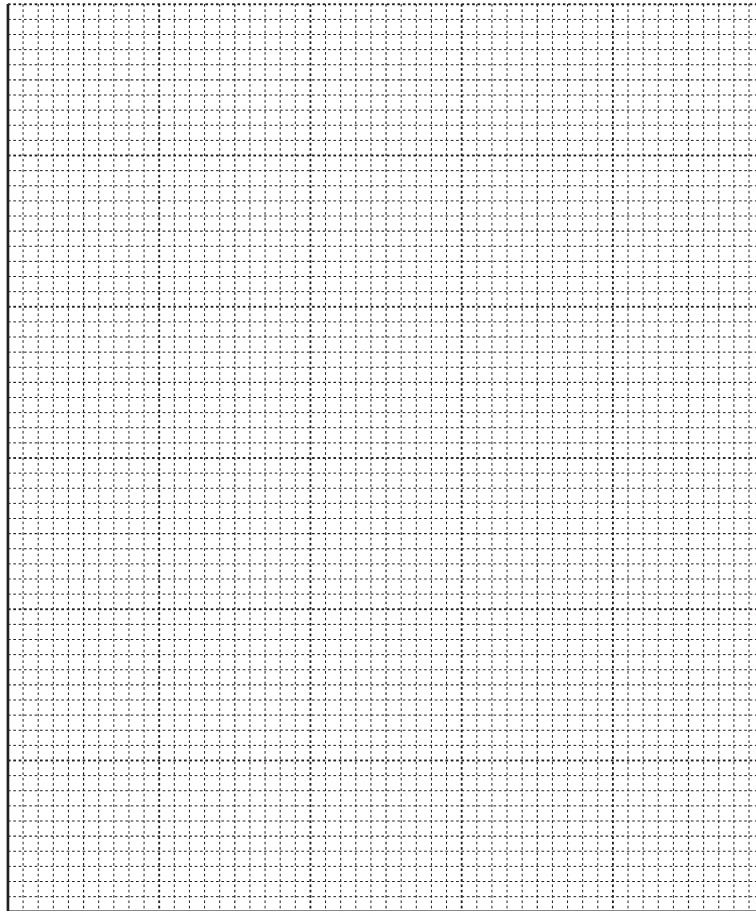
Table 1.1

time/minutes	height/cm
2	
4	
6	
8	
10	

- (b) On the grid provided, plot a graph of liquid and bubble height (vertical axis) against time (horizontal axis).

Draw a best-fit curve.

[4]



- (c) A student uses this method to investigate the effect of temperature on this enzyme-catalysed reaction.

(i) State **two** variables that the student should keep constant.

1.

2.

[1]

(ii) Suggest which temperatures the student should use.

.....

.....

[2]

- 2 You are going to investigate the reaction between magnesium and copper sulfate solution. You will also find out how the reaction depends on the concentration of the copper sulfate solution.

You are provided with copper sulfate of concentration 1.00X where X is a unit of concentration.

- (a) (i) Using the thermometer, measure the initial temperature T_i of the copper sulfate solution and record **to the nearest half degree** in Table 2.1 the initial temperature T_i for concentration 1.00X. [1]

Table 2.1

concentration of copper sulfate	initial temperature $T_i/^\circ\text{C}$	highest temperature $T_h/^\circ\text{C}$	temperature change $\Delta T/^\circ\text{C}$
1.00X			
0.75X			
0.50X			
0.25X			

- (ii) • Transfer one of the samples of magnesium into the plastic cup.
- Measure 24 cm^3 of copper sulfate solution using the 25 cm^3 measuring cylinder.
- Add this quickly to the magnesium in the plastic cup.
- Stir the mixture thoroughly and measure the highest temperature T_h reached.
- Record **to the nearest half degree** in Table 2.1 the highest temperature T_h for concentration 1.00X. [1]
- (iii) Pour the contents of the plastic cup into the large beaker labelled **waste** and thoroughly rinse out the plastic cup with water.

Make a copper sulfate solution of lower concentration, 0.75X, using the following method.

- Measure 6 cm^3 of water using the 10 cm^3 measuring cylinder and add this to the small beaker.
- Measure 18 cm^3 of copper sulfate solution using the 25 cm^3 measuring cylinder and add this to the water in the small beaker.
- Stir the mixture to ensure an even solution.
- Measure the initial temperature T_i of this 0.75X copper sulfate solution and record **to the nearest half degree** in Table 2.1 the initial temperature T_i for concentration 0.75X. [1]
- Keep this solution for (iv).

The volumes used are shown in Table 2.2.

Table 2.2

concentration of copper sulfate	volume of copper sulfate /cm ³	volume of water /cm ³
1.00X	24	0
0.75X	18	6
0.50X	12	12
0.25X	6	18

- (iv) • Transfer another of the samples of magnesium into the plastic cup.
- Add the 0.75X copper sulfate solution, made in (iii), from the small beaker quickly to the magnesium in the plastic cup.
 - Stir the mixture thoroughly and measure the highest temperature T_h reached.
 - Record **to the nearest half degree** in Table 2.1, the highest temperature T_h for concentration 0.75X. [1]

- (v) Repeat (a)(iii) and (a)(iv) using the volumes of water and copper sulfate for 0.50X copper sulfate solution and then 0.25X copper sulfate solution as shown in Table 2.2.

Record **to the nearest half degree** in Table 2.1, the initial temperatures T_i and the highest temperatures T_h . [2]

- (b) (i) Calculate the temperature change ΔT during the reaction for each concentration of copper sulfate.

Record these values in the last column of Table 2.1. [1]

- (ii) A student states that the temperature change ΔT for this experiment depends directly on the concentration of the copper sulfate solution used.

Suggest whether this is supported by your data in Table 2.1 and justify your answer.

.....

 [1]

- (iii) Suggest how the data in Table 2.1 could be presented to show the relationship between concentration and change in temperature.

.....
 [1]

- (c) Suggest **one** change to this procedure to improve the accuracy of the results.

.....
 [1]

- 3 You are going to find the mass of a piece of modelling clay using a balancing method.

You are provided with a metre rule, a pivot and a piece of modelling clay.

- (a) Mould the piece of modelling clay until it is roughly cube-shaped. Place the modelling clay on the metre rule so that its centre is 15.0 cm from the zero end of the rule, as shown in Fig. 3.1.

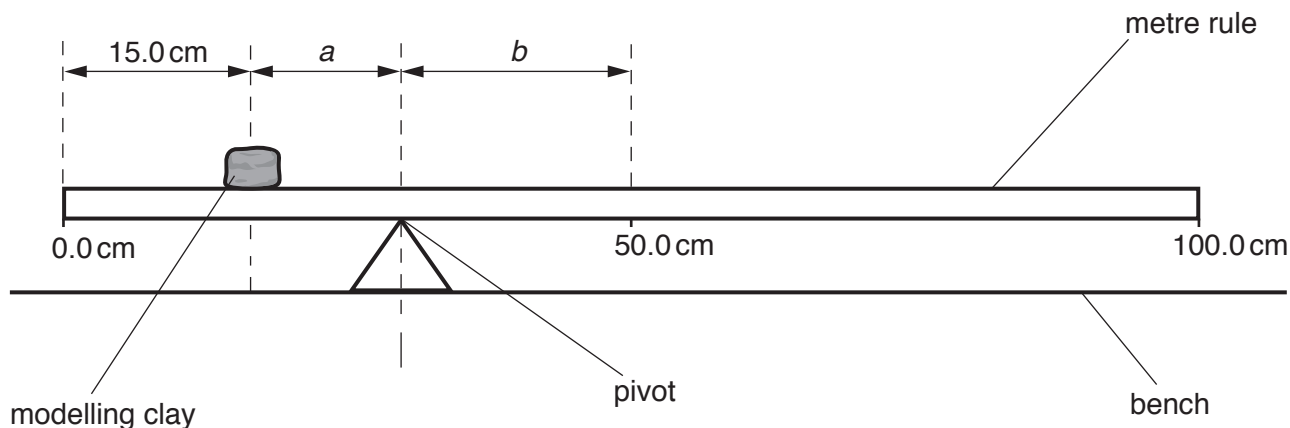


Fig. 3.1 (not to scale)

- (i) Adjust the position of the pivot so that the rule balances on it. Record to the nearest 0.1 cm the distance a from the centre of the modelling clay to the pivot as shown in Fig. 3.1.

$a = \dots\dots\dots$ cm [1]

- (ii) Record to the nearest 0.1 cm the distance b from the pivot to the 50.0 cm mark, as shown in Fig. 3.1.

$b = \dots\dots\dots$ cm [1]

- (iii) Describe how you ensured that the centre of the modelling clay was directly above the 15.0 cm mark on the metre rule. You may draw a diagram, if you wish.

.....
 [1]

- (b) Use the balance provided to measure the mass M of the metre rule to the nearest gram.

$M = \dots\dots\dots$ g [1]

7

- (c) Calculate the mass m of the piece of modelling clay using the equation shown.

$$m = M \times \frac{b}{a}$$

Give your answer to an appropriate number of significant figures.

$m = \dots\dots\dots$ g [2]

- (d) Use the balance provided to measure the mass of the piece of modelling clay.

mass of modelling clay = $\dots\dots\dots$ g [1]

- (e) Even if you have carried out the experiment very carefully, your measured mass of the piece of modelling clay may not be equal to your value of m .

Suggest **two** reasons why this might be so. Assume that the balance is accurate.

1. $\dots\dots\dots$

$\dots\dots\dots$

2. $\dots\dots\dots$

$\dots\dots\dots$

[2]

- (f) The experiment is repeated with a heavier piece of modelling clay.

State how the distances a and b will change.

$\dots\dots\dots$

$\dots\dots\dots$ [1]

NOTES FOR USE IN QUALITATIVE ANALYSIS

Tests for anions

<i>anion</i>	<i>test</i>	<i>test result</i>
carbonate (CO_3^{2-})	add dilute acid	effervescence, carbon dioxide produced
chloride (Cl^-) [in solution]	acidify with dilute nitric acid, then add aqueous silver nitrate	white ppt.
nitrate (NO_3^-) [in solution]	add aqueous sodium hydroxide, then aluminium foil; warm carefully	ammonia produced
sulfate (SO_4^{2-}) [in solution]	acidify with dilute nitric acid then add aqueous barium nitrate	white ppt.

Tests for aqueous cations

<i>cation</i>	<i>effect of aqueous sodium hydroxide</i>	<i>effect of aqueous ammonia</i>
ammonium (NH_4^+)	ammonia produced on warming	–
copper(II) (Cu^{2+})	light blue ppt., insoluble in excess	light blue ppt., soluble in excess, giving a dark blue solution
iron(II) (Fe^{2+})	green ppt., insoluble in excess	green ppt., insoluble in excess
iron(III) (Fe^{3+})	red-brown ppt., insoluble in excess	red-brown ppt., insoluble in excess
zinc (Zn^{2+})	white ppt., soluble in excess, giving a colourless solution	white ppt., soluble in excess, giving a colourless solution

Tests for gases

<i>gas</i>	<i>test and test result</i>
ammonia (NH_3)	turns damp, red litmus paper blue
carbon dioxide (CO_2)	turns limewater milky
chlorine (Cl_2)	bleaches damp litmus paper
hydrogen (H_2)	'pops' with a lighted splint
oxygen (O_2)	relights a glowing splint

Permission to reproduce items where third-party owned material protected by copyright is included has been sought and cleared where possible. Every reasonable effort has been made by the publisher (UCLES) to trace copyright holders, but if any items requiring clearance have unwittingly been included, the publisher will be pleased to make amends at the earliest possible opportunity.

To avoid the issue of disclosure of answer-related information to candidates, all copyright acknowledgements are reproduced online in the Cambridge International Examinations Copyright Acknowledgements Booklet. This is produced for each series of examinations and is freely available to download at www.cie.org.uk after the live examination series.

Cambridge International Examinations is part of the Cambridge Assessment Group. Cambridge Assessment is the brand name of University of Cambridge Local Examinations Syndicate (UCLES), which is itself a department of the University of Cambridge.