



**Cambridge International Examinations**  
Cambridge International General Certificate of Secondary Education

**COMBINED SCIENCE**

**0653/12**

Paper 1 Multiple Choice (Core)

**May/June 2018**

**45 minutes**

Additional Materials: Multiple Choice Answer Sheet  
Soft clean eraser  
Soft pencil (type B or HB is recommended)

\* 7 7 3 4 1 9 8 5 6 1 \*

**READ THESE INSTRUCTIONS FIRST**

Write in soft pencil.

Do not use staples, paper clips, glue or correction fluid.

Write your name, Centre number and candidate number on the Answer Sheet in the spaces provided unless this has been done for you.

**DO NOT WRITE IN ANY BARCODES.**

There are **forty** questions on this paper. Answer **all** questions. For each question there are four possible answers **A, B, C** and **D**.

Choose the **one** you consider correct and record your choice in **soft pencil** on the separate Answer Sheet.

**Read the instructions on the Answer Sheet very carefully.**

Each correct answer will score one mark. A mark will not be deducted for a wrong answer.

Any rough working should be done in this booklet.

A copy of the Periodic Table is printed on page 16.

Electronic calculators may be used.

This document consists of **15** printed pages and **1** blank page.

1 Which pair of structures is found in a typical plant cell but **not** in a typical animal cell?

- A cell membrane and chloroplasts
- B cell membrane and cytoplasm
- C cell wall and chloroplasts
- D cell wall and cytoplasm

2 A student investigates the effect of temperature on the digestion of starch by an enzyme.

The student mixes an enzyme solution with a starch solution.

He removes samples of the mixture every two minutes and tests with iodine solution.

The experiment is repeated at different temperatures, **A, B, C** and **D**.

Which row shows the results for the temperature in which starch is digested most quickly?

	two minutes	four minutes	six minutes	eight minutes
<b>A</b>	blue-black	blue-black	blue-black	blue-black
<b>B</b>	blue-black	blue-black	brown	brown
<b>C</b>	blue-black	brown	brown	brown
<b>D</b>	brown	brown	brown	brown

3 When biuret solution is added to a food sample it turns purple.

What must the food sample contain?

- A fat
- B glycerol
- C protein
- D vitamin

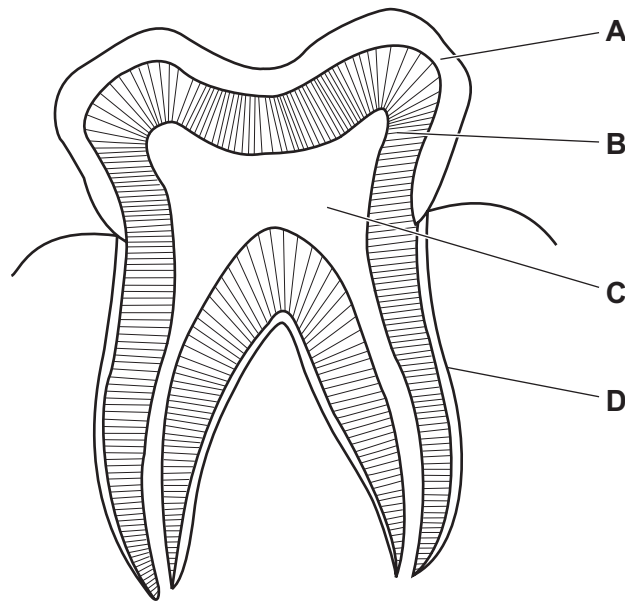
4 Which two chemical substances are required for photosynthesis?

- A carbon dioxide and glucose
- B glucose and oxygen
- C oxygen and water
- D water and carbon dioxide

3

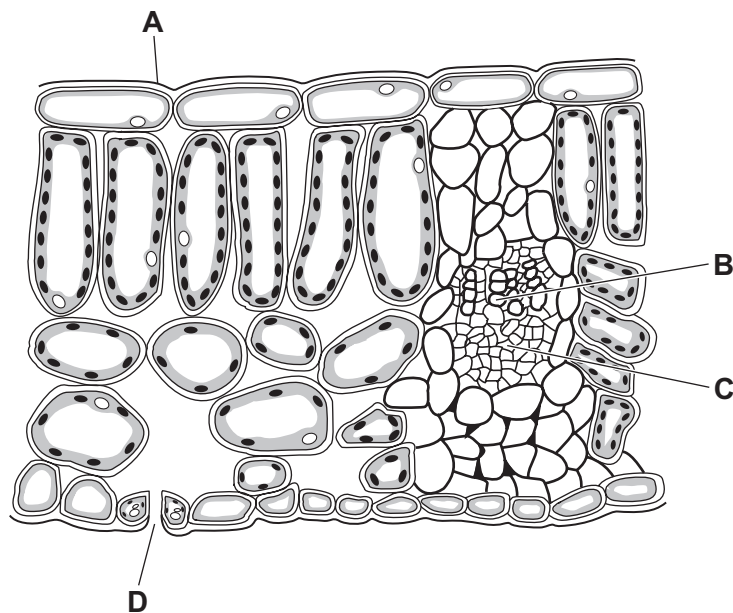
5 The diagram shows a section through a human tooth.

Which part is made of the hardest material?

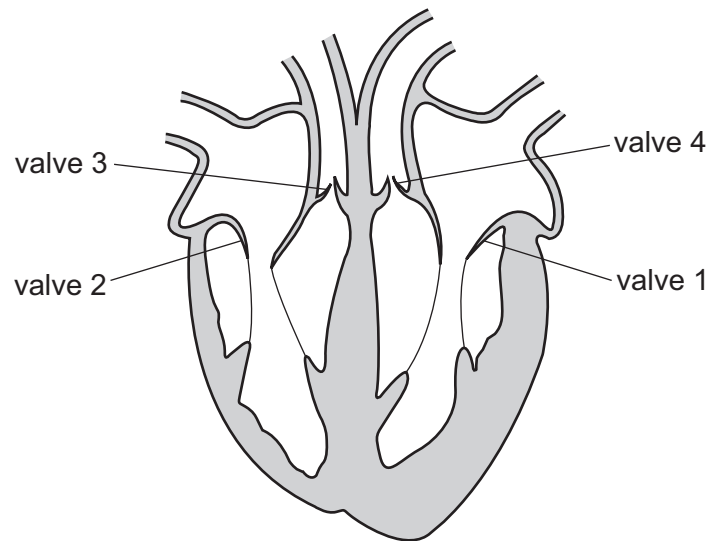


6 The diagram shows a section through a leaf.

Where does water enter the leaf?



7 The diagram shows a section through the human heart.



What happens to the valves as blood is being pumped to the lungs?

	valve 1	valve 2	valve 3	valve 4
<b>A</b>	closed	closed	open	closed
<b>B</b>	closed	closed	open	open
<b>C</b>	open	open	closed	closed
<b>D</b>	open	open	closed	open

8 Which equation represents aerobic respiration?

- A** carbon dioxide + oxygen → glucose + water
- B** carbon dioxide + water → glucose + oxygen
- C** glucose + oxygen → carbon dioxide + water
- D** glucose + water → carbon dioxide + oxygen

9 Adrenaline is sometimes called the 'fight or flight' hormone.

Which is an effect of adrenaline that helps prepare the body to fight or to take flight when frightened?

- A** It increases blood glucose concentration.
- B** It increases the rate of digestion.
- C** It maintains a constant body temperature.
- D** It slows down the heart rate.

10 Which row describes sexual reproduction?

	number of parents	offspring genetically identical to parents	involves zygote production
<b>A</b>	1	✓	✓
<b>B</b>	1	x	x
<b>C</b>	2	✓	x
<b>D</b>	2	x	✓

11 The anthers are part of which flower structure?

- A** carpels
- B** sepals
- C** stamens
- D** stigma

12 The diagram shows a food chain.

maize → mouse → owl

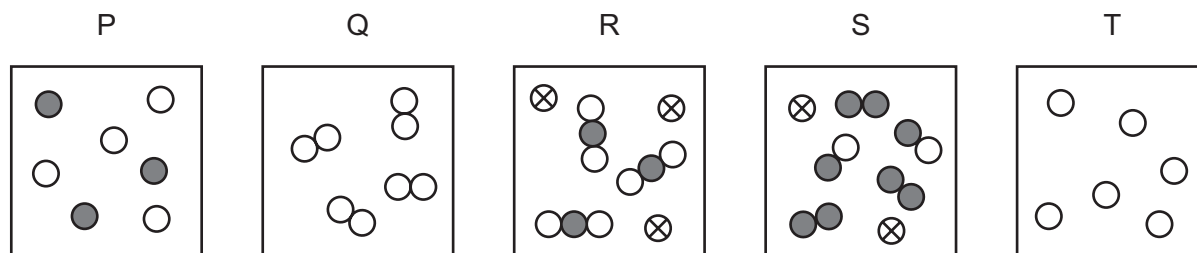
Which terms describe the organisms in this food chain?

	maize	mouse	owl
<b>A</b>	consumer	carnivore	producer
<b>B</b>	consumer	herbivore	carnivore
<b>C</b>	producer	carnivore	herbivore
<b>D</b>	producer	herbivore	carnivore

13 Which two gases contribute towards global warming?

- A** carbon dioxide and methane
- B** carbon dioxide and nitrogen
- C** nitrogen and water vapour
- D** oxygen and methane

14 The diagrams represent different substances.



Which row describes the substances?

	only separate atoms	only molecules	mixture of atoms and molecules
<b>A</b>	P	Q	S
<b>B</b>	Q	T	R
<b>C</b>	T	P	R
<b>D</b>	T	Q	P

15 Which method is used to separate a mixture of two liquids?

- A** chromatography
- B** crystallisation
- C** filtration
- D** fractional distillation

16 Which process involves a physical change?

- A** adding magnesium to nitric acid
- B** burning methane
- C** evaporating petroleum
- D** rusting iron

17 Which statement about the formation of ions is correct?

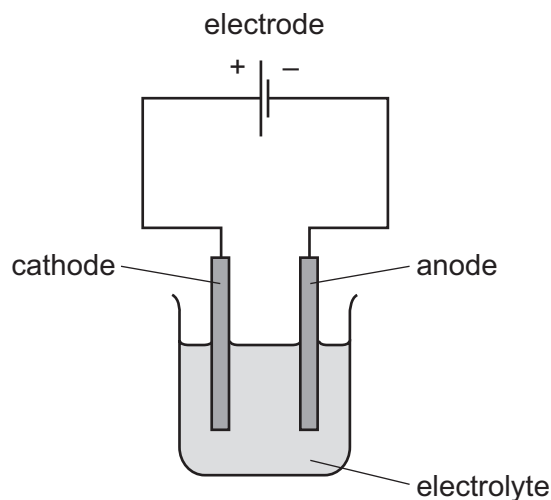
- A** Anions are formed when atoms gain electrons.
- B** Anions are formed when atoms lose electrons.
- C** Cations are formed when atoms gain protons.
- D** Cations are formed when atoms lose protons.

18 Which formula represents a molecule that contains three different elements?

- A CO<sub>2</sub>                      B H<sub>2</sub>O                      C O<sub>3</sub>                      D NOCl

19 The diagram shows apparatus for electrolysis.

Only one label is correct.



Which label on the diagram is correct?

- A anode  
 B cathode  
 C electrode  
 D electrolyte
- 20 Which change **must** take place in an endothermic reaction?
- A Bubbles of gas are released.  
 B The mass decreases.  
 C The temperature decreases.  
 D The temperature increases.

21 Magnesium reacts with steam to form magnesium oxide and hydrogen gas.



Which statement about this reaction is correct?

- A Hydrogen gas is reduced.  
 B Magnesium is oxidised.  
 C Magnesium is reduced.  
 D Water is oxidised.

22 Which chemicals are used in the test for nitrate ions?

- A aqueous barium nitrate and dilute nitric acid
- B aqueous silver nitrate and dilute nitric acid
- C dilute acid and limewater
- D aqueous sodium hydroxide and aluminium

23 Part of the Periodic Table is shown.

	I	II																	III	IV	V	VI	VII	VIII
	V																						W	X

Which element forms an anion and which element forms a cation?

	forms an anion	forms a cation
A	V	W
B	V	X
C	W	V
D	X	W

24 Which statement about transition metals is **not** correct?

- A They are often used as catalysts.
- B They form colourless compounds.
- C They have high densities.
- D They have high melting points.

25 Constantan is a mixture of copper and another metal.

Which type of substance is constantan?

- A a compound
- B a molecule
- C a salt
- D an alloy



26 A sample of clean air is bubbled through sodium hydroxide to remove carbon dioxide.

It is then passed over heated copper to remove oxygen.

Which gases are left in the air at the end of the experiment?

- A nitrogen, noble gases and water vapour
- B nitrogen and noble gases only
- C nitrogen only
- D noble gases and water vapour only

27 What are the products of the complete combustion of a hydrocarbon?

- A carbon dioxide, carbon monoxide and water
- B carbon dioxide and water only
- C carbon dioxide only
- D carbon monoxide and water only

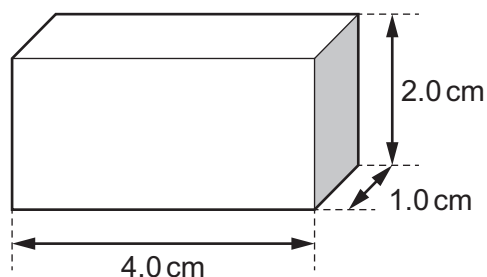
28 A vehicle takes 30 minutes to travel a distance of 60 km.

What is the average speed of the vehicle?

- A 2.0 km/hour
- B 30 km/hour
- C 120 km/hour
- D 1800 km/hour

29 The diagram shows a solid rectangular block with the dimensions shown.

The block is made from a material of density  $4.0 \text{ g/cm}^3$ .



What is the mass of the block?

- A 0.50 g
- B 1.0 g
- C 16 g
- D 32 g

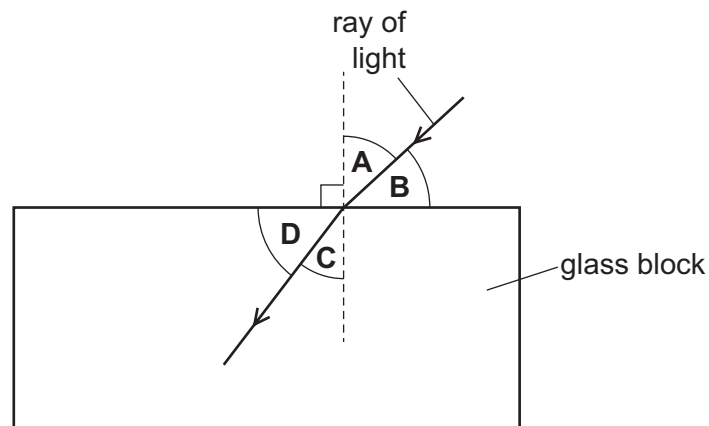
- 30** A ball moves along hard, horizontal ground. The ball reaches a horizontal patch of mud. The mud causes the ball to stop.

What is the main energy change as the ball moves in the mud?

- A** gravitational energy to kinetic energy
  - B** gravitational energy to thermal energy
  - C** kinetic energy to gravitational energy
  - D** kinetic energy to thermal energy
- 31** A train is travelling along a straight, horizontal track at constant speed.
- The work done by the train is recorded as it travels through a measured distance.
- Which quantity can be calculated using only these two pieces of information?
- A** force exerted by the train
  - B** speed of the train
  - C** time taken to travel this distance
  - D** weight of the train
- 32** A liquid at room temperature is in an open dish. The liquid is evaporating.
- Which statement about the evaporation is correct?
- A** It causes the liquid's surroundings to become warmer.
  - B** It happens only at the surface of the liquid.
  - C** It happens only when the room reaches a certain temperature.
  - D** It involves the molecules with the least energy escaping from the liquid.
- 33** On a summer's day, hot air rises above hot roofs.
- What is the name of this process?
- A** concentration
  - B** condensation
  - C** conduction
  - D** convection

34 The diagram shows a ray of light as it enters a glass block.

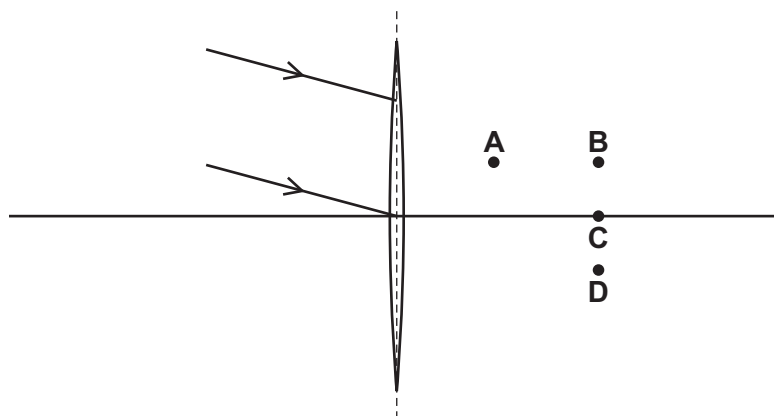
Which labelled angle is the angle of refraction?



35 The diagram represents two parallel rays of light striking a converging lens.

The rays pass through the lens.

Through which labelled point do both rays pass?



36 Infra-red waves, microwaves, ultraviolet waves and visible light are all electromagnetic waves.

Which of these has the smallest wavelength?

- A infra-red
- B microwaves
- C ultraviolet
- D visible light

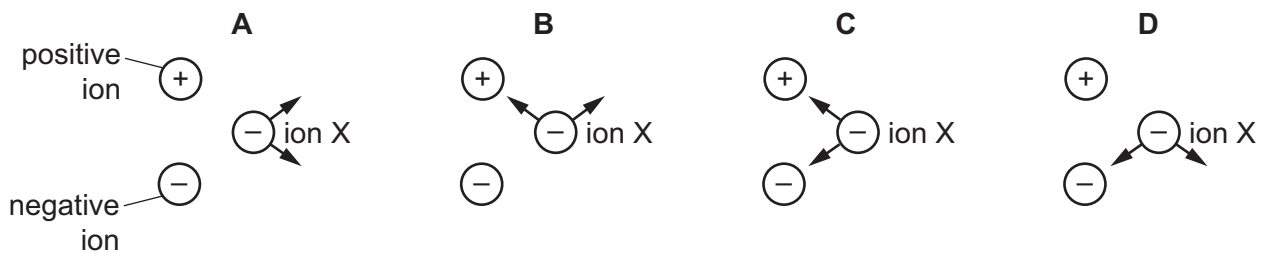
- 37 A singer sings two different notes. The first note is quiet and high-pitched. The second note is louder and lower-pitched.

Which row describes how the amplitude and the frequency of the second note compare with the amplitude and the frequency of the first note?

	amplitude	frequency
<b>A</b>	greater	greater
<b>B</b>	greater	smaller
<b>C</b>	smaller	greater
<b>D</b>	smaller	smaller

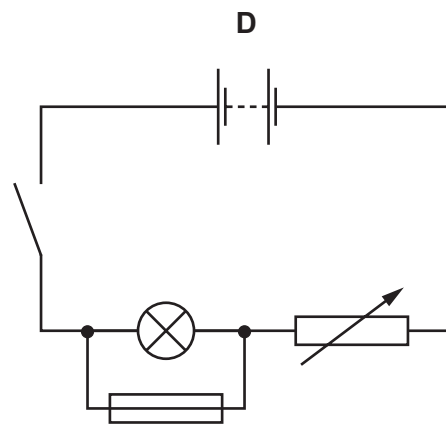
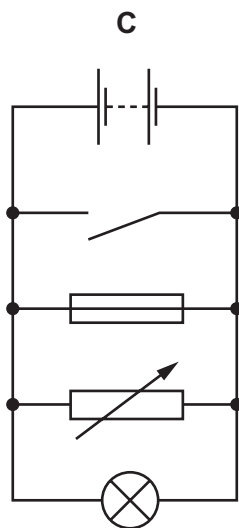
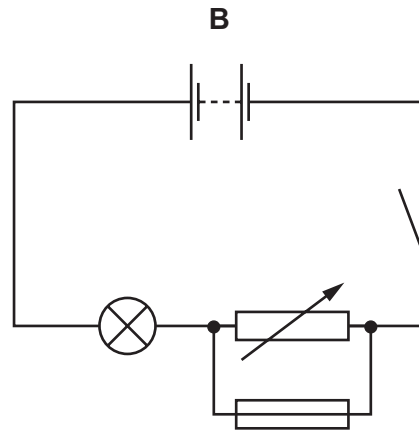
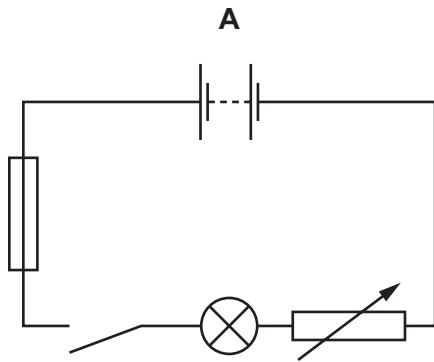
- 38 A negative ion X is close to a positive ion and another negative ion. Electrical forces act on ion X because of the charges in the other two ions.

Which diagram shows the directions of the two forces acting on ion X?

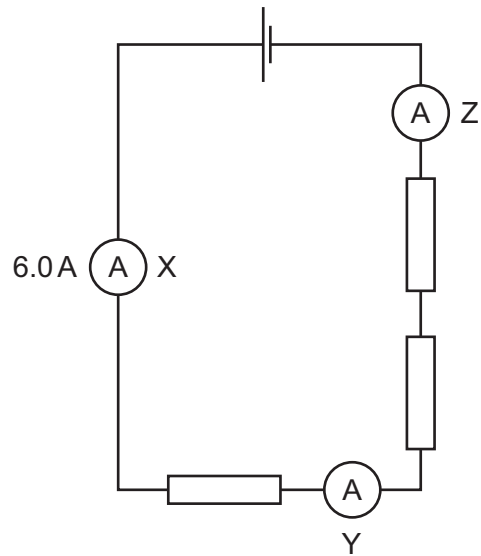


39 A lamp can be dimmed or switched off. Its circuit is protected by a fuse.

Which diagram shows this circuit?



40 The diagram shows a circuit containing three identical resistors and three ammeters X, Y and Z.



The reading on ammeter X is 6.0 A.

What are the readings on ammeters Y and Z?

	reading on ammeter Y/A	reading on ammeter Z/A
<b>A</b>	2.0	4.0
<b>B</b>	3.0	3.0
<b>C</b>	4.0	2.0
<b>D</b>	6.0	6.0

**BLANK PAGE**

---

Permission to reproduce items where third-party owned material protected by copyright is included has been sought and cleared where possible. Every reasonable effort has been made by the publisher (UCLES) to trace copyright holders, but if any items requiring clearance have unwittingly been included, the publisher will be pleased to make amends at the earliest possible opportunity.

To avoid the issue of disclosure of answer-related information to candidates, all copyright acknowledgements are reproduced online in the Cambridge International Examinations Copyright Acknowledgements Booklet. This is produced for each series of examinations and is freely available to download at [www.cie.org.uk](http://www.cie.org.uk) after the live examination series.

Cambridge International Examinations is part of the Cambridge Assessment Group. Cambridge Assessment is the brand name of University of Cambridge Local Examinations Syndicate (UCLES), which is itself a department of the University of Cambridge.

