



Cambridge International Examinations
Cambridge International General Certificate of Secondary Education

CANDIDATE
NAME

CENTRE
NUMBER

--	--	--	--	--

CANDIDATE
NUMBER

--	--	--	--

CO-ORDINATED SCIENCES

0654/42

Paper 4 Theory (Extended)

May/June 2018

2 hours

Candidates answer on the Question Paper.

No Additional Materials are required.

READ THESE INSTRUCTIONS FIRST

Write your Centre number, candidate number and name on all the work you hand in.

Write in dark blue or black pen.

You may use an HB pencil for any diagrams or graphs.

Do not use staples, paper clips, glue or correction fluid.

DO NOT WRITE IN ANY BARCODES.

Answer **all** questions.

Electronic calculators may be used.

You may lose marks if you do not show your working or if you do not use appropriate units.

A copy of the Periodic Table is printed on page 32.

At the end of the examination, fasten all your work securely together.

The number of marks is given in brackets [] at the end of each question or part question.

This document consists of **30** printed pages and **2** blank pages.

1 Fig. 1.1 shows a diagram of the alimentary canal and associated organs.

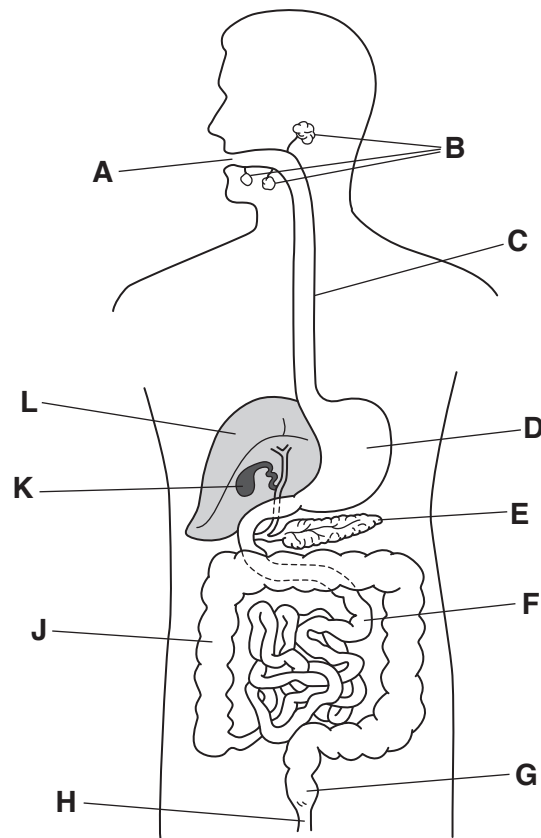


Fig. 1.1

- (a) (i) Using Fig. 1.1, state the letter which represents the site of
 bile production,
- fat digestion,
- lipase production.

[3]

(ii) Describe the effect of bile on fats.

.....

.....

.....[2]

(b) Fats are broken down by lipase into fatty acids and glycerol.

Describe in detail where in the alimentary canal fatty acids and glycerol are absorbed.

.....

.....

.....

.....

.....

..... [3]

(c) The environment inside the stomach is very acidic.

Explain why fat digestion **does not** occur in the stomach.

.....

.....

..... [2]

- 2 A student investigates what happens when she adds magnesium to dilute hydrochloric acid.

Fig. 2.1 shows the apparatus she uses.

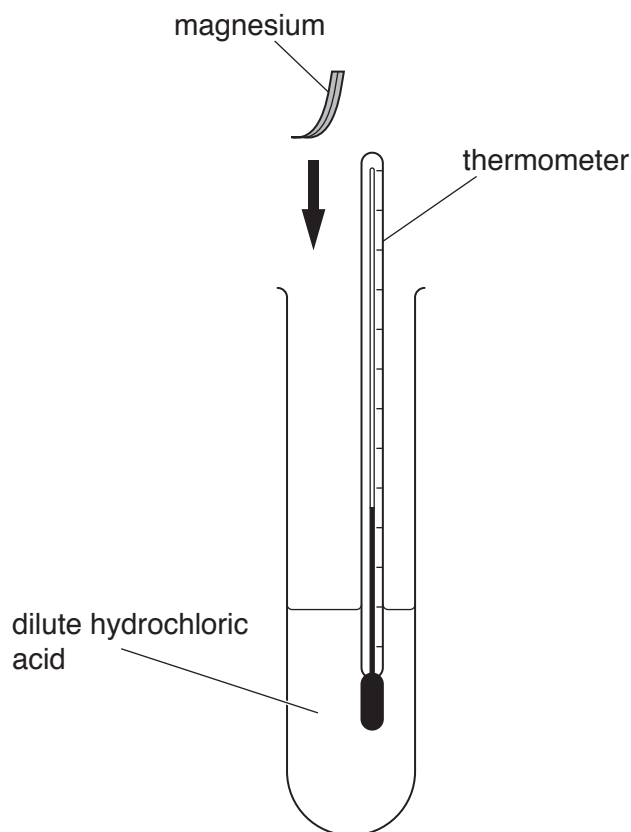


Fig. 2.1

- (a) (i) The reaction is exothermic.

Describe **two** observations that show a chemical reaction occurs in her investigation.

1

2

[2]

- (ii) Name the magnesium compound that forms.

.....[1]

- (iii) Explain, in terms of electrons, why magnesium atoms are oxidised in the reaction.

.....

.....[1]

(b) Fig. 2.2 shows magnesium reacting with carbon dioxide.

The reaction produces magnesium oxide, MgO, and carbon.

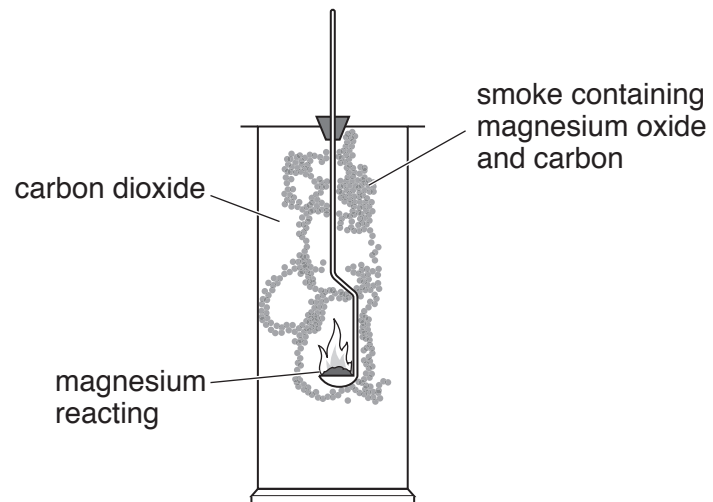


Fig. 2.2

Construct the **balanced symbolic** equation for this reaction.

..... [2]

(c) Table 2.1 shows information about the composition of a magnesium alloy.

The table is incomplete.

Table 2.1

element	% by mass
aluminium	6.0
calcium	2.0
magnesium	
manganese	0.4
zinc	0.1

(i) Calculate the mass of magnesium in 200 g of the alloy.

mass = g [1]

(ii) Calculate the number of moles of magnesium in 200 g of the alloy.

[A_r : Mg, 24]

Show your working.

.....[1]

(iii) Suggest **one** reason why an alloy of magnesium, rather than pure magnesium, is used to make parts for car engines.

.....
[1]

- 3 (a) Four athletes at an athletics competition are trying to qualify for the Olympic Games in 2020.

To qualify for the 200 m race the athletes have to complete the race in less than 20.5 s.

Table 3.1 shows some information about the four athletes during their race.

Table 3.1

athlete	average speed (m/s)
P	9.80
Q	10.20
R	9.71
S	10.42

- (i) Identify, by calculation, the athletes who qualify for the Olympic Games.

Explain your answer.

athletes

explanation

.....

.....

.....

[3]

- (ii) The mass of athlete **P** is 80 kg. Calculate the kinetic energy of the athlete when he is moving at his average speed.

State the formula you use and show your working.

formula

working

kinetic energy = J [2]

(b) Fig. 3.1 shows an athlete standing in front of a mirror fixed on a wall.

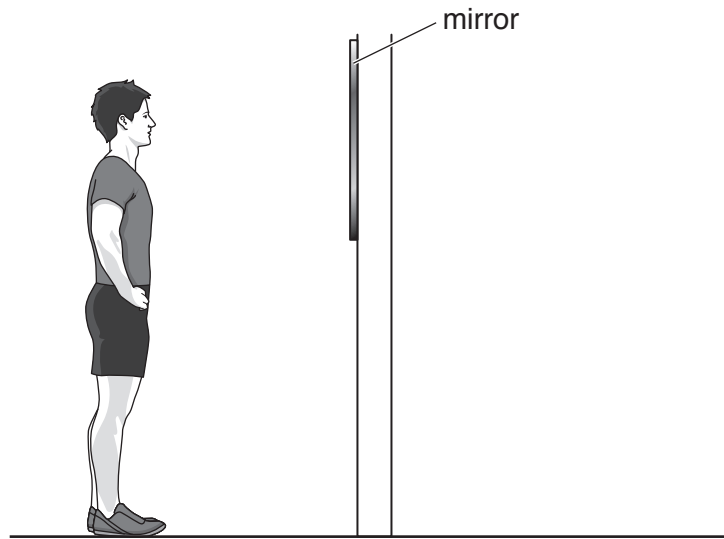


Fig. 3.1

On Fig. 3.1, draw the letter **X** to show the position of the image of the athlete's nose. [2]

(c) After running, the athlete is sweating and some of the sweat evaporates.

(i) Describe, in terms of particles, how evaporation occurs from the surface of a liquid.

.....
.....
.....
.....
..... [3]

(ii) State **two** ways in which the rate of evaporation can be increased from the surface of a liquid.

1
2 [2]

- 4 Table 4.1 shows the mass of some of the nutrients in 100 cm³ of breast milk and 100 cm³ of formula milk.

Table 4.1

nutrient	100 cm ³ of breast milk	100 cm ³ of formula milk
protein	1.6 g	1.3 g
fat	4.8 g	3.4 g
calcium	35.5 mg	55.0 mg

- (a) Describe the differences between breast milk and formula milk as shown in Table 4.1.

Show your working to help explain your answer. Give units where appropriate.

.....

.....

.....

.....

.....

..... [3]

- (b) (i) During pregnancy, nutrients are provided for the growing baby by the mother.

Describe in detail how nutrients are transferred from the mother to the growing baby.

.....

.....

.....

.....

..... [3]

- (ii) Circle **all** the waste materials that would pass from the growing baby to the mother.

amino acids

carbon dioxide

faeces

glucose

iron

oxygen

urea

[2]

- 5 (a) Table 5.1 shows the numbers of electrons in each shell in atoms of five elements **A** to **E**.

The letters are **not** the chemical symbols of the elements.

Table 5.1

element	1st shell	2nd shell	3rd shell	4th shell
A	2			
B	2	5		
C	2	8	2	
D	2	8	7	
E	2	8	8	2

- (i) Deduce which elements are in the same period of the Periodic Table.

.....[1]

- (ii) Deduce which element is nitrogen.

.....[1]

- (iii) Deduce which elements are metals.

.....[1]

(b) Fig. 5.1 shows the reaction vessel used in the Haber process.

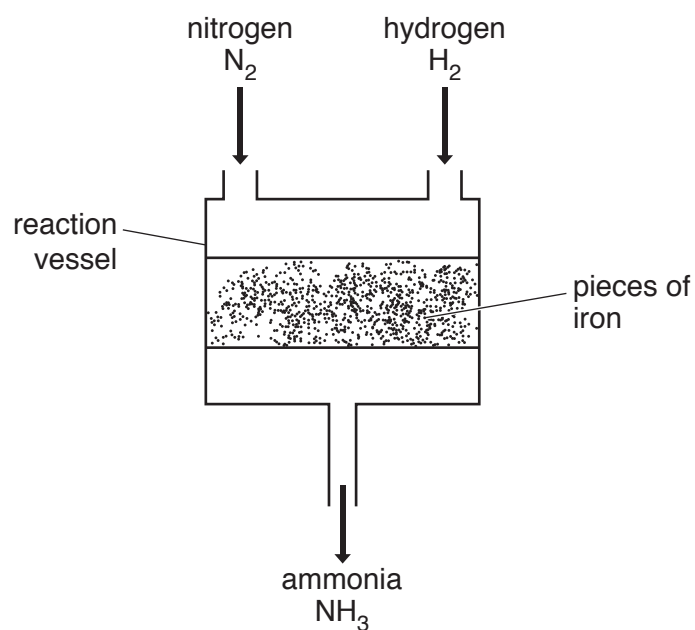


Fig. 5.1

(i) Describe how nitrogen is obtained from air.

.....
.....
..... [2]

(ii) Describe the essential conditions in this reaction vessel.

.....
.....
..... [2]

(c) Ammonia is used to make ammonium sulfate.

(i) Ammonium sulfate contains ammonium ions, NH_4^+ , and sulfate ions, SO_4^{2-} .

Deduce the formula of ammonium sulfate.

Explain your answer.

formula

explanation

..... [2]

(ii) Describe how a solution of ammonium sulfate is tested to show that it contains ammonium ions.

test

.....

result

[3]

- 6 (a) The cooling system of a truck uses water to remove thermal energy from the hot engine.

The heated water goes into the radiator.

Some of the thermal energy is lost from the radiator by radiation.

Fig. 6.1 shows the truck radiator.

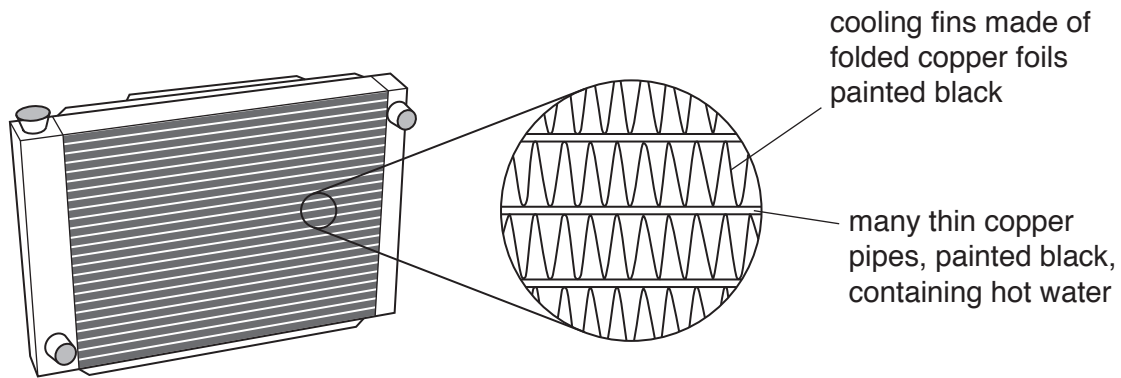


Fig. 6.1

Describe how the features of the radiator shown in Fig. 6.1 increase the rate of thermal energy loss by radiation.

.....

.....

.....

..... [2]

- (b) The mass of water in the radiator is 7.5 kg.

The specific heat capacity of water is $4200 \text{ J/kg } ^\circ\text{C}$.

The thermal energy released when the water in the radiator cools is 475 kJ.

Calculate the temperature change of the water.

State the formula you use and show your working.

formula

working

temperature change = $^\circ\text{C}$ [2]

(c) If the water in the radiator gets too hot, a fan is used to cool the radiator.

The fan is turned by a small motor.

Fig. 6.2 shows a small electric motor.

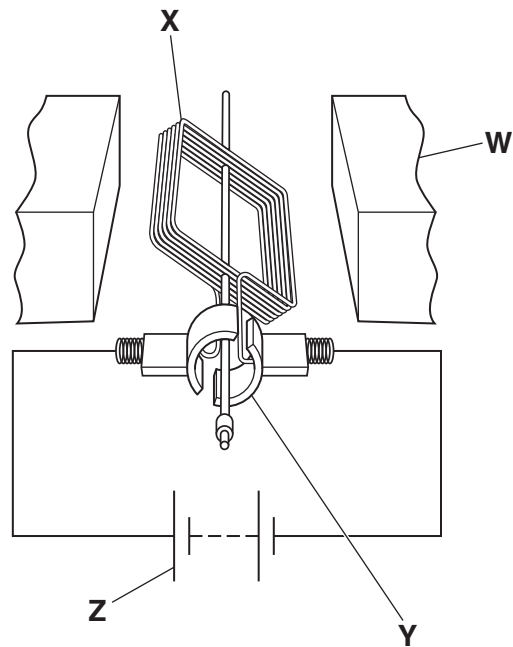


Fig. 6.2

(i) Identify the four labelled parts **W**, **X**, **Y** and **Z** in Fig. 6.2 by drawing one straight line from each letter to its correct label.

letter

label

W

axle

X

battery

Y

coil

Z

commutator

magnet

rotor

[2]

(ii) Describe the effect on the motor of increasing the current passing through the motor.

.....[1]

(d) The driver of the truck experiences an electric shock when getting out of the truck.

This is caused by the creation of an electric field between the driver and the truck.

State the meaning of the term *electric field*.

.....
[1]

(e) The starter motor of the truck uses a very large current.

Explain why a relay is used to switch on the starter motor circuit.

.....

[1]

- (f) The truck has two headlamps and two rear lamps all connected in parallel with the battery as shown in Fig. 6.3.

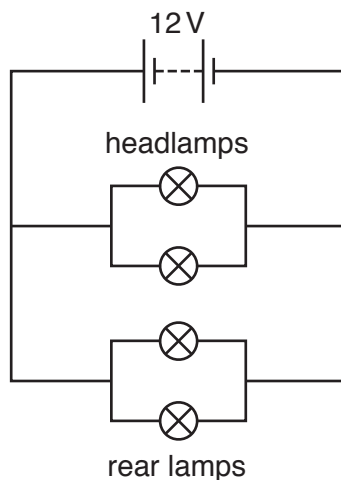


Fig. 6.3

Each headlamp has a resistance of $3\ \Omega$.

Each rear lamp has a resistance of $6\ \Omega$.

- (i) Calculate the combined resistance of:

the two headlamps

resistance = Ω

the two rear lamps

resistance = Ω
[2]

- (ii) Use your answers from (f)(i) to find the total resistance in the truck lighting circuit.

resistance = Ω [1]

7 Fig. 7.1 shows a diagram of a section through the eye.

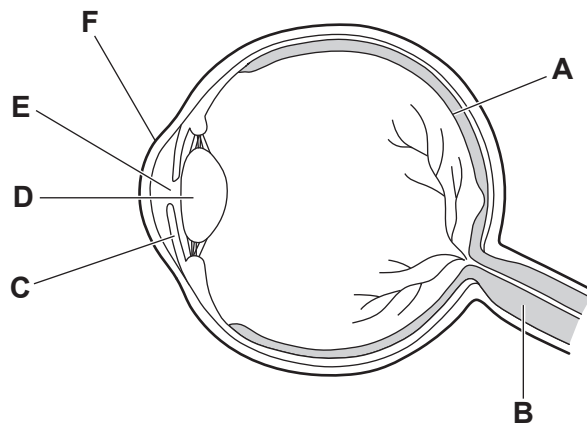


Fig. 7.1

(a) Table 7.1 shows the names, letters and functions of some of the parts of the eye shown in Fig. 7.1.

Use the information in Fig. 7.1 to complete Table 7.1.

Table 7.1

name of part	letter on Fig. 7.1	function
		refracts light as it enters the eye
iris		
	D	
	A	contains light sensitive cells

[4]

(b) Describe the changes which occur to the ciliary muscle, the suspensory ligaments and the lens when the eye focuses on a distant object.

ciliary muscle

suspensory ligaments

lens

[3]

(c) If dust enters the eye, the eye automatically blinks. This is a reflex action.

Suggest **and** explain why the response is coordinated by the unconscious part of the brain rather than the spinal cord.

.....

.....[1]

8 (a) Chlorine is a very reactive element in Group VII of the Periodic Table.

(i) Describe **and** explain what is observed, if anything, when chlorine is mixed with colourless sodium iodide solution.

observation

explanation

..... [2]

(ii) Explain, in terms of the electronic structure of atoms, why argon does not react with chlorine.

.....

..... [1]

(b) Chlorine combines with sodium to form sodium chloride.

Complete Fig. 8.1 to show the arrangement of some ions in a crystal of sodium chloride.

Write the chemical symbols and electrical charges of the ions in each circle.

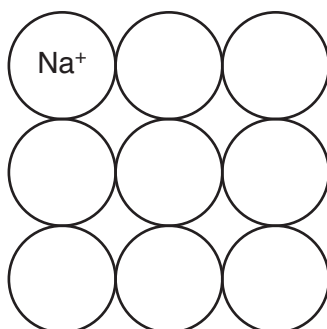


Fig. 8.1

[2]

(c) Fig. 8.2 shows apparatus producing chlorine by electrolysis.

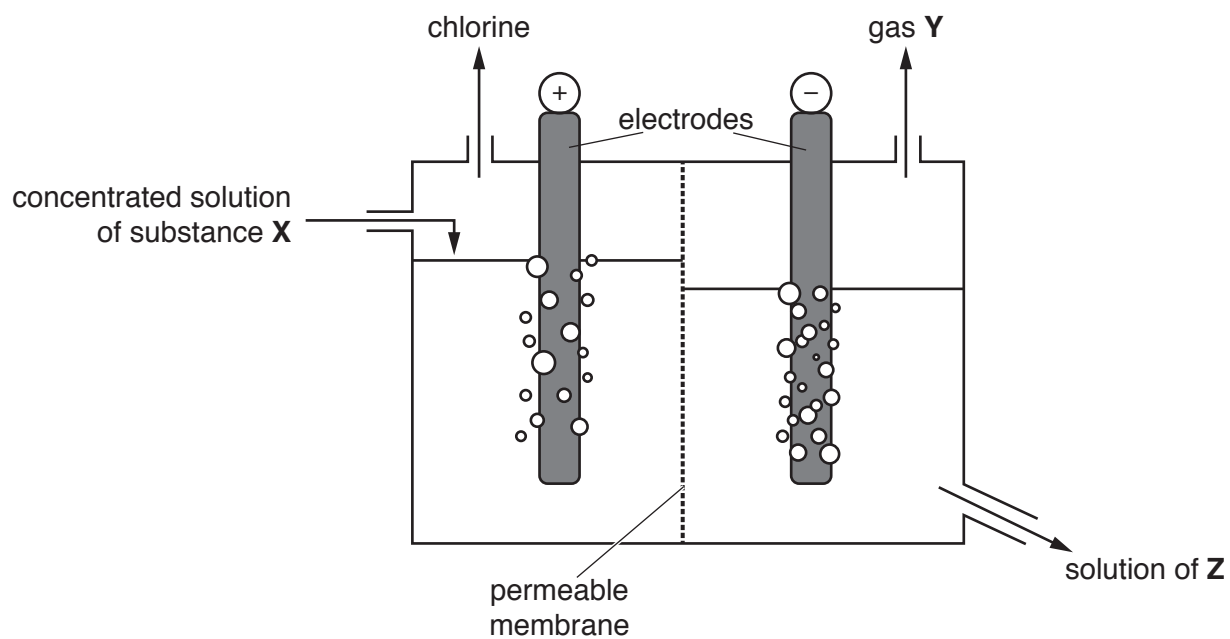


Fig. 8.2

Identify **X**, **Y** and **Z**.

X

Y

Z

[3]

- 9 (a) Elephants can carry heavy loads.

An elephant of mass 3000 kg is carrying a box of mass 100 kg.

- (i) Calculate the combined weight of the elephant and the box. ($g = 10 \text{ N/kg}$).

combined weight = N [1]

- (ii) The elephant carries the box up a hill and finishes 50 m higher up.

Use your answer to (a)(i) to calculate the work done in gaining this height.

State the formula you use and show your working.

formula

working

work done = J [2]

- (iii) State the potential energy gained by the elephant and box in gaining this height.

potential energy = J [1]

- (iv) The elephant stands with all four feet on the ground. The area of each foot is 600 cm^2 .

Calculate the pressure, in N/cm^2 , exerted by the elephant and the box on the ground.

State the formula you use and show your working.

formula

working

pressure = N/cm^2 [2]

(b) An elephant communicates with other elephants using infrasound.

Infrasound is a very low frequency sound wave, which is usually impossible for a human to hear.

(i) Suggest a possible frequency for infrasound and explain your answer.

frequency Hz

explanation

.....

.....

[2]

(ii) Infrasound waves travel through the air as a series of compressions and rarefactions.

Describe **two** differences between a region of compression and a region of rarefaction.

1

.....

2

.....

[2]

(iii) Explain, in terms of compressions, what is meant by the wavelength of a sound wave.

.....

..... [1]

- 10 (a) Different aquatic species are tested to find the range of pH values they are able to tolerate.

Fig. 10.1 shows a summary of the results.

The shading indicates the pH values that the species are able to tolerate.

	pH 6.5	pH 6.0	pH 5.5	pH 5.0	pH 4.5	pH 4.0
trout fish						
bass fish						
perch fish						
frogs						
snails						

Fig. 10.1

- (i) Using Fig. 10.1, state the name of the organism that can survive over the smallest pH range.
[1]
- (ii) Using Fig. 10.1, state the name of the organism that can survive in the most acidic conditions.
[1]
- (b) Burning fossil fuels releases carbon dioxide and gases which can cause acid rain. Acid rain affects the pH of rivers and lakes.
- (i) State a gas that causes the formation of acid rain.
[1]
- (ii) Describe **and** explain the effects of the release of carbon dioxide on the environment.

[3]

11 Gasoline and refinery gas are mixtures of hydrocarbons.

(a) Name the raw material from which gasoline and refinery gas are extracted.

.....[1]

(b) (i) Refinery gas contains butane.

Complete Fig. 11.1 to show the molecular structure of one butane molecule.

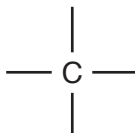


Fig. 11.1

[2]

(ii) Describe **one** difference and **one** similarity in the structure of the molecules of butane and of butene.

difference

.....

similarity

.....

[2]

- (c) Gasoline is oxidised in a car engine, producing exhaust gas.

Exhaust gas is a mixture of gases.

Fig. 11.2 shows the exhaust gas from a car being released into the air.

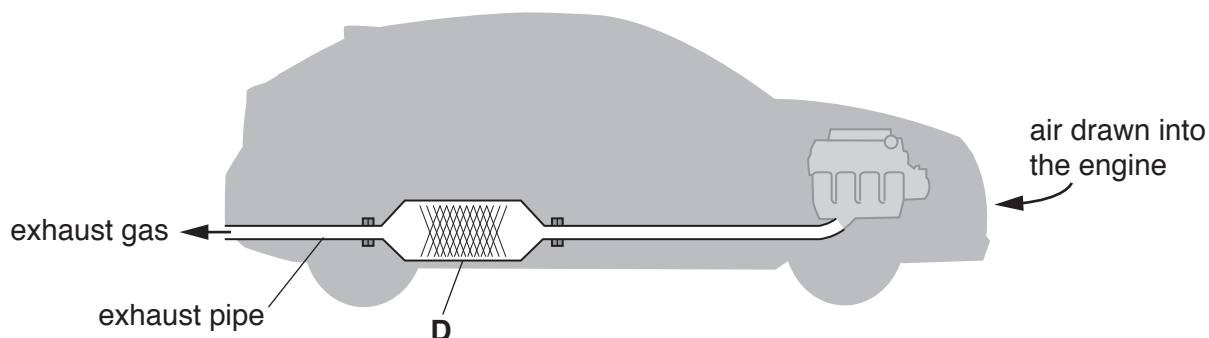


Fig. 11.2

- (i) State and explain the difference between the amounts of carbon dioxide and water vapour in the exhaust gas and the air drawn into the engine.

.....

 [2]

- (ii) Suggest why the exhaust gas contains some gaseous oxygen.

.....
 [1]

- (d) Before the exhaust gas passes through the part of the exhaust pipe labelled **D** in Fig. 11.2, it also contains nitrogen dioxide, NO_2 .

Nitrogen dioxide is chemically reduced when the exhaust gas passes through the part labelled **D**.

- (i) Suggest how nitrogen dioxide is formed in the car's engine.

.....
 [1]

- (ii) State what type of substance is contained in **D** that increases the rate of reduction of nitrogen dioxide.

..... [1]

(iii) Suggest the name of the unreactive gas produced when nitrogen dioxide is reduced.

Explain your answer.

gas

explanation

.....

[1]

12 (a) A metal saucepan containing water is placed onto the hot-plate of an electric cooker.

Fig. 12.1 shows some water being heated in the saucepan.

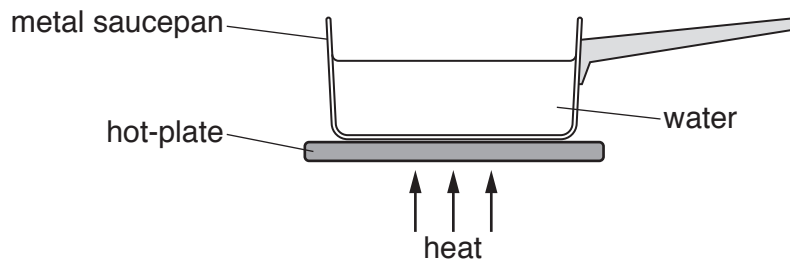


Fig. 12.1

When the base of the metal saucepan is heated, the metal expands.

Fig. 12.2 represents the metal atoms present in the metal saucepan before heating.

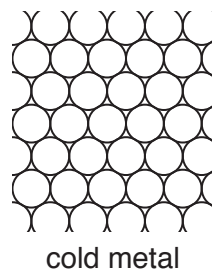


Fig. 12.2

Use the words or phrases in the list to complete the sentences to describe the arrangement of the particles after heating.

Each word or phrase may be used once, more than once or not at all.

decrease increase stay the same

The size of the particles will

The vibration of the particles will

The distance between the particles will

[2]

- (b) Water can also be heated in a solar cooker.

Mirrors are used to reflect rays of light from the Sun onto a metal can containing water.

Fig. 12.3 shows a simplified view of a solar cooker. The paths of three rays of light from the Sun have been started.

Continue the rays of light to show that only two rays strike the metal can.

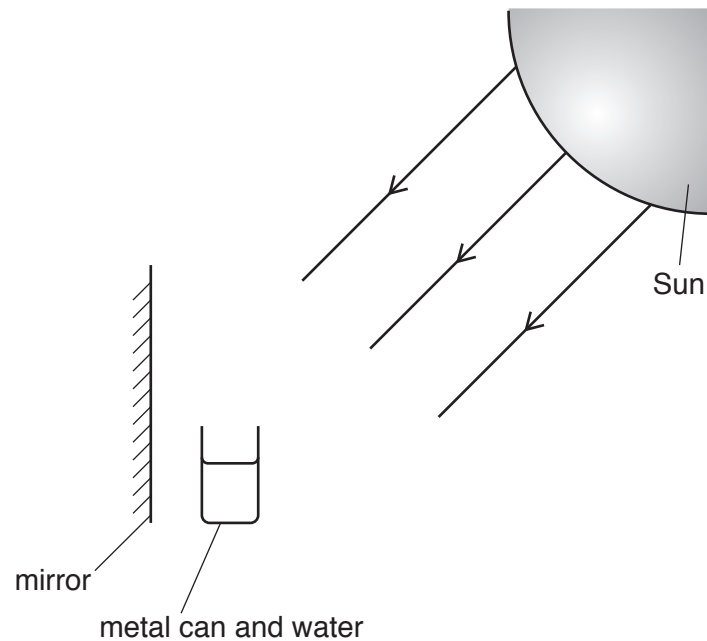


Fig. 12.3

[2]

- (c) Energy is required to heat up the saucepan. The thermal capacity of the saucepan is $500 \text{ J/}^\circ\text{C}$.

State what is meant by the term *thermal capacity*.

.....

..... [1]

13 Fig. 13.1 is a photograph of a cross-section through a leaf as viewed through a light microscope.

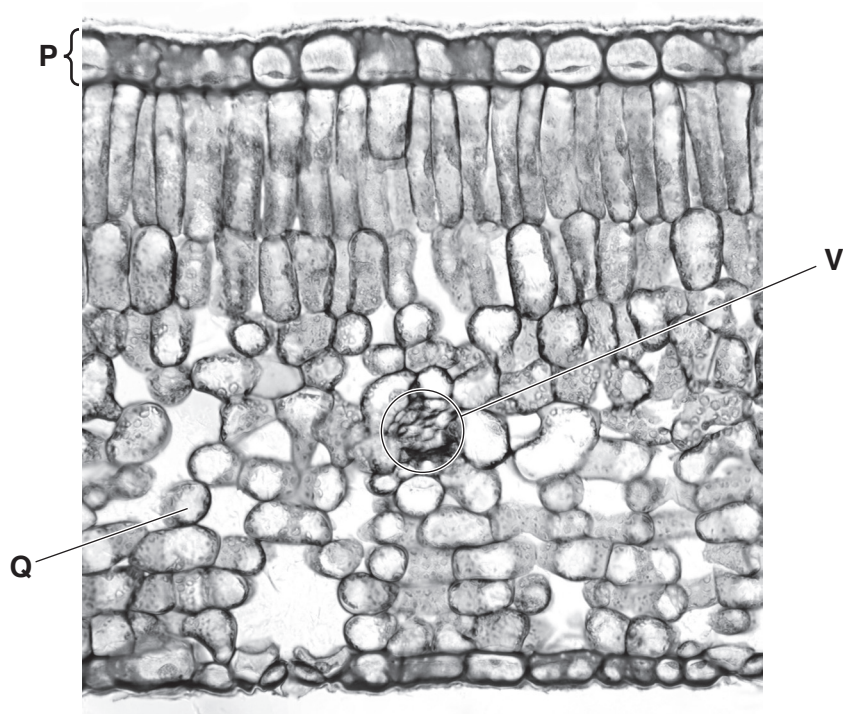


Fig. 13.1

(a) Using Fig. 13.1, identify the parts labelled **P** and **Q**.

P

Q

[2]

(b) The part labelled **V** in Fig. 13.1 contains two tissues. One of these tissues is responsible for translocation.

(i) Name **one** substance transported by translocation.

.....[1]

(ii) Name the **two** tissues contained in part **V** in Fig. 13.1.

1

2

[2]

(c) The leaf contains many palisade cells.

The boxes on the left show some parts of a palisade cell.

The boxes on the right show the function of parts of a palisade cell.

Draw **four** lines to link each part of a palisade cell with its function.

part of palisade cell

cell membrane

cell wall

chloroplast

vacuole

function

strengthens the cell

controls substances entering
and leaving the cell

contains water and supports
the cell

site of photosynthesis

[3]

BLANK PAGE

BLANK PAGE

Permission to reproduce items where third-party owned material protected by copyright is included has been sought and cleared where possible. Every reasonable effort has been made by the publisher (UCLES) to trace copyright holders, but if any items requiring clearance have unwittingly been included, the publisher will be pleased to make amends at the earliest possible opportunity.

To avoid the issue of disclosure of answer-related information to candidates, all copyright acknowledgements are reproduced online in the Cambridge International Examinations Copyright Acknowledgements Booklet. This is produced for each series of examinations and is freely available to download at www.cie.org.uk after the live examination series.

Cambridge International Examinations is part of the Cambridge Assessment Group. Cambridge Assessment is the brand name of University of Cambridge Local Examinations Syndicate (UCLES), which is itself a department of the University of Cambridge.

