


Please check the examination details below before entering your candidate information

Candidate surname					Other names									
Pearson Edexcel					Centre Number					Candidate Number				
					<input type="text"/> <input type="text"/> <input type="text"/> <input type="text"/> <input type="text"/>					<input type="text"/> <input type="text"/> <input type="text"/> <input type="text"/> <input type="text"/>				
Tuesday 15 January 2019														
Morning (Time: 2 hours)							Paper Reference 4MA1/2HR							
Mathematics A														
Level 1/2														
Paper 2HR														
Higher Tier												Total Marks		
You must have: Ruler graduated in centimetres and millimetres, protractor, compasses, pen, HB pencil, eraser, calculator. Tracing paper may be used.														

Instructions

- Use **black** ink or ball-point pen.
- **Fill in the boxes** at the top of this page with your name, centre number and candidate number.
- Answer **all** questions.
- Without sufficient working, correct answers may be awarded no marks.
- Answer the questions in the spaces provided
– *there may be more space than you need.*
- **Calculators may be used.**
- You must **NOT** write anything on the formulae page.
Anything you write on the formulae page will gain **NO** credit.

Information

- The total mark for this paper is 100.
- The marks for **each** question are shown in brackets
– *use this as a guide as to how much time to spend on each question.*

Advice

- Read each question carefully before you start to answer it.
- Check your answers if you have time at the end.

Turn over ►

P59024A

©2019 Pearson Education Ltd.

1/1/1




Pearson

International GCSE Mathematics

Formulae sheet – Higher Tier

Arithmetic series

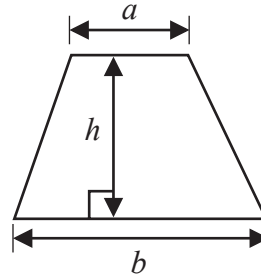
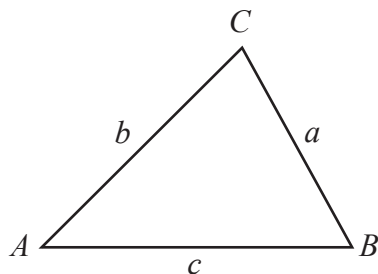
Sum to n terms, $S_n = \frac{n}{2} [2a + (n-1)d]$

Area of trapezium = $\frac{1}{2}(a+b)h$

The quadratic equation

The solutions of $ax^2 + bx + c = 0$ where $a \neq 0$ are given by:

$$x = \frac{-b \pm \sqrt{b^2 - 4ac}}{2a}$$

**Trigonometry**

In any triangle ABC

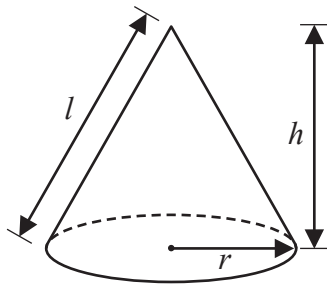
Sine Rule $\frac{a}{\sin A} = \frac{b}{\sin B} = \frac{c}{\sin C}$

Cosine Rule $a^2 = b^2 + c^2 - 2bc \cos A$

Area of triangle = $\frac{1}{2}ab \sin C$

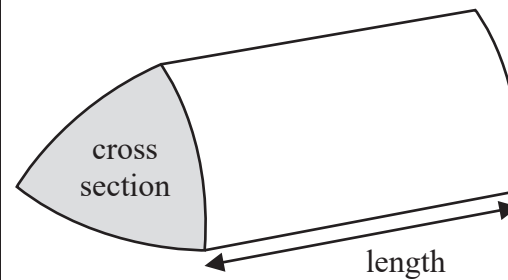
Volume of cone = $\frac{1}{3}\pi r^2 h$

Curved surface area of cone = $\pi r l$



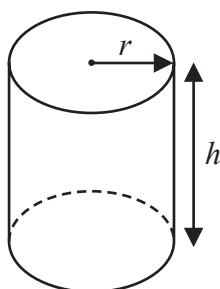
Volume of prism

= area of cross section \times length



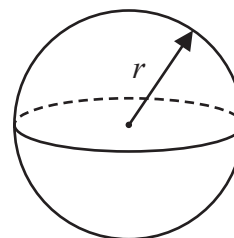
Volume of cylinder = $\pi r^2 h$

Curved surface area of cylinder = $2\pi r h$



Volume of sphere = $\frac{4}{3}\pi r^3$

Surface area of sphere = $4\pi r^2$



DO NOT WRITE IN THIS AREA

DO NOT WRITE IN THIS AREA

DO NOT WRITE IN THIS AREA



Answer ALL TWENTY THREE questions.

Write your answers in the spaces provided.

You must write down all the stages in your working.

- 1 The table gives information about the number of days that 100 cars were in an airport car park.

Number of days (d)	Frequency
$0 < d \leq 4$	16
$4 < d \leq 8$	18
$8 < d \leq 12$	19
$12 < d \leq 16$	27
$16 < d \leq 20$	20

- (a) Write down the modal class.

(1)

- (b) Work out an estimate for the mean number of days.

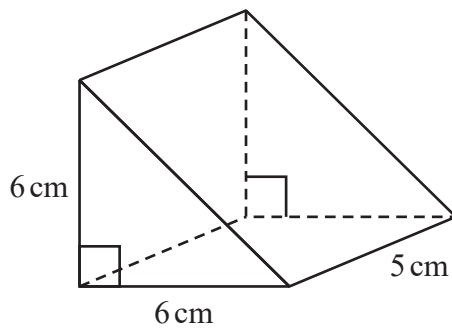
days

(4)

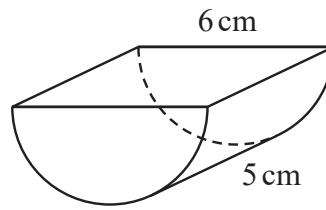
(Total for Question 1 is 5 marks)



- 2 The diagram shows two solid toy bricks, Brick A and Brick B.



Brick A



Brick B

Diagram **NOT**
accurately drawn

Brick A is a triangular prism of length 5 cm.

The cross section of Brick A is an isosceles right-angled triangle with equal sides of length 6 cm.

Brick B is half a cylinder of length 5 cm.

The semicircular cross section of Brick B has diameter 6 cm.

The volume of Brick A is greater than the volume of Brick B.

How much greater?

Give your answer correct to 1 decimal place.

cm³

(Total for Question 2 is 4 marks)



3 Here are the first five terms of a number sequence S .

10 16 22 28 34

(a) Find an expression, in terms of n , for the n th term of this sequence.

(2)

The n th term of a sequence T is given by $n^2 - 3$

There are numbers that are terms in both the sequence S and the sequence T .

(b) Find one of these numbers.

(2)

(Total for Question 3 is 4 marks)

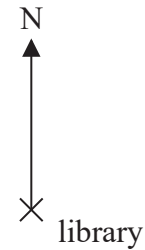
4 On Saturday, Jacob walked 10 800 steps.
On Sunday, he walked 7% more steps than on Saturday.

Work out how many steps Jacob walked on Sunday.

(Total for Question 4 is 3 marks)



- 5 The scale drawing shows the position of a hall and the position of a library.



Scale: 1 cm represents 20 metres

A post box is 140 metres from the library on a bearing of 220°

- (a) Show the position of the post box on the scale drawing.
Mark the position with a cross (X) and label it *P*.

(2)

- (b) Use your scale drawing to find

(i) the real distance, in metres, of the hall from the post box,

m

(ii) the bearing of the hall from the post box.

o

(2)

(Total for Question 5 is 4 marks)



6

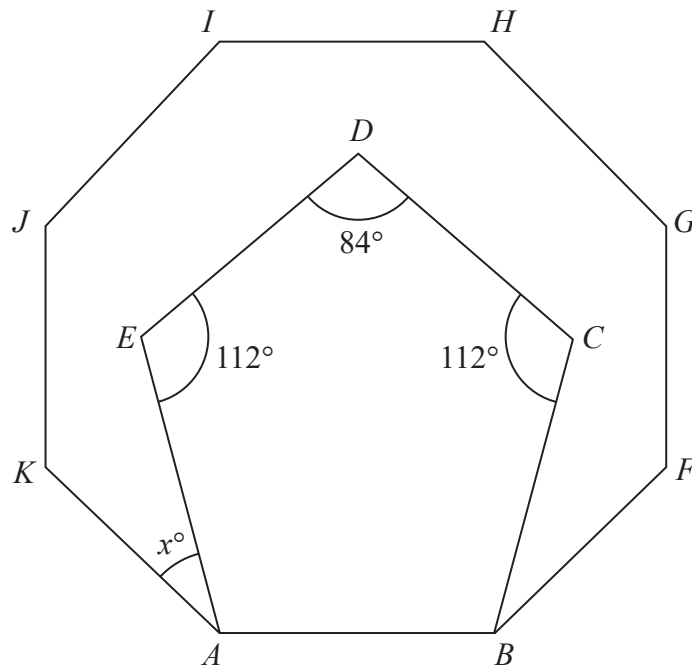


Diagram **NOT**
accurately drawn

Pentagon $ABCDE$ is drawn inside the regular octagon $ABFGHIJK$.
The pentagon has exactly one line of symmetry.

Work out the value of x .

$x =$

(Total for Question 6 is 4 marks)



P 5 9 0 2 4 A 0 7 2 4

7 The diagram shows a trapezium.

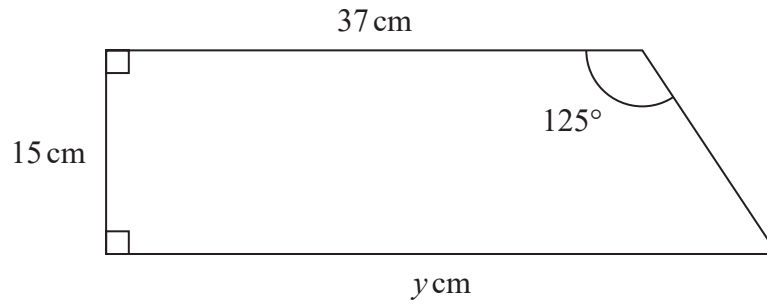


Diagram **NOT**
accurately drawn

Work out the value of y .
Give your answer correct to 1 decimal place.

$y =$

(Total for Question 7 is 4 marks)

DO NOT WRITE IN THIS AREA

DO NOT WRITE IN THIS AREA

DO NOT WRITE IN THIS AREA



8 (a) Simplify fully $\frac{15k^4m^3}{5km^2}$

(2)

(b) Solve the inequality $7 < 4x - 1 \leq 17$

(3)

(Total for Question 8 is 5 marks)



- 9 Omar invests 6000 dirham for 4 years in a savings account.
He will get 1.5% per year compound interest.

Work out the total amount of interest Omar will have received by the end of 4 years.
Give your answer correct to the nearest dirham.

dirham

(Total for Question 9 is 3 marks)

DO NOT WRITE IN THIS AREA

DO NOT WRITE IN THIS AREA

DO NOT WRITE IN THIS AREA



10 (a) Simplify fully $(16x^8y^6)^{\frac{1}{2}}$

(2)

(b) Solve $\frac{8-2x}{3} - \frac{2x-3}{2} = 4$

Show clear algebraic working.

$x =$

(3)

(c) Make f the subject of $m = \sqrt{\frac{1}{3}ef}$

(2)

(Total for Question 10 is 7 marks)



- 11 The straight line L_1 has equation $x + 2y = 4$
The straight line L_2 passes through the points $(-1, -7)$ and $(7, 9)$

Michael says that the lines L_1 and L_2 are perpendicular.

Is Michael correct?

You must show clearly how you get your answer.

(Total for Question 11 is 3 marks)

DO NOT WRITE IN THIS AREA

DO NOT WRITE IN THIS AREA

DO NOT WRITE IN THIS AREA



- 12 Freddie recorded the number of runs he scored in each of 11 cricket matches.
Here are his results.

4 0 21 32 51 6 102 69 17 9 42

Find the interquartile range of his results.

(Total for Question 12 is 3 marks)

- 13 Carlos, Flavia and Tazia shared £861 between themselves.

The amount of money Flavia got is 65% of the amount of money Carlos got.

The amount of money Tazia got is 22% **more** than the amount of money Carlos got.

Work out how much money Carlos got.

£

(Total for Question 13 is 3 marks)



14 (a) Given that $a = 3^x$ and $b = 3^y$
express in terms of a or b or a and b ,

(i) 3^{2x}

(ii) 3^{x+4y}

(iii) 3^{y-1}

(3)

$$a = 3^x \text{ and } b = 3^y$$

$$ab = 2187$$

$$a^2b = 177147$$

(b) Work out the value of x and the value of y .
Show your working clearly.

$$x =$$

$$y =$$

(3)

(Total for Question 14 is 6 marks)



DO NOT WRITE IN THIS AREA

15 Barney has a biased coin.

When the coin is thrown once, the probability that the coin will land heads is 0.3

Barney throws the coin 4 times.

(a) Work out the probability that the coin will land heads exactly 3 times.

(3)

(b) Work out the probability that the coin will land heads at least once.

(2)

(Total for Question 15 is 5 marks)

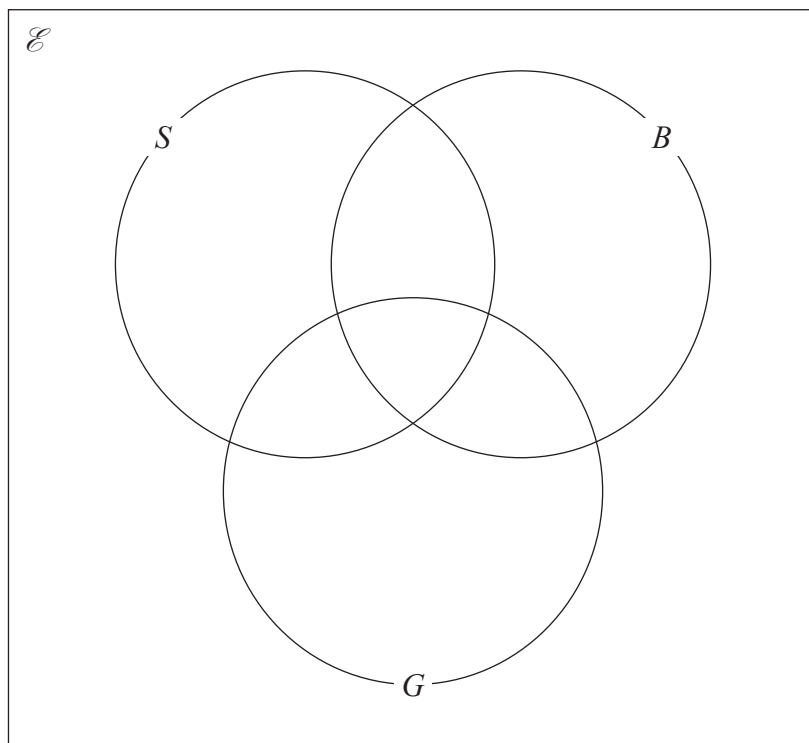


- 16 120 people who visited a sports centre were asked if they went swimming (S), played basketball (B) or used the gym (G).

Their answers showed that

- 28 people went swimming
- 16 people played basketball
- 27 people used the gym
- 3 people went swimming and played basketball
- 5 people played basketball and used the gym
- 7 people went swimming and used the gym
- 2 people went swimming, played basketball and used the gym

- (a) Using this information, complete the Venn diagram to show the number of people in each region of the Venn diagram.



(3)

One of the people who went swimming is chosen at random.

- (b) Find the probability that this person also played basketball.

(1)

(Total for Question 16 is 4 marks)

DO NOT WRITE IN THIS AREA

DO NOT WRITE IN THIS AREA

DO NOT WRITE IN THIS AREA



$$17 \quad P = ef$$

$e = 4.8$ correct to 2 significant figures.

$f = 0.26$ correct to 2 significant figures.

- (a) Work out the lower bound for the value of P .
 Show your working clearly.
 Give your answer correct to 3 significant figures.

(2)

$$Q = \frac{t}{w}$$

$t = 2.73$ correct to 3 significant figures.

$w = 0.04$ correct to 1 significant figure.

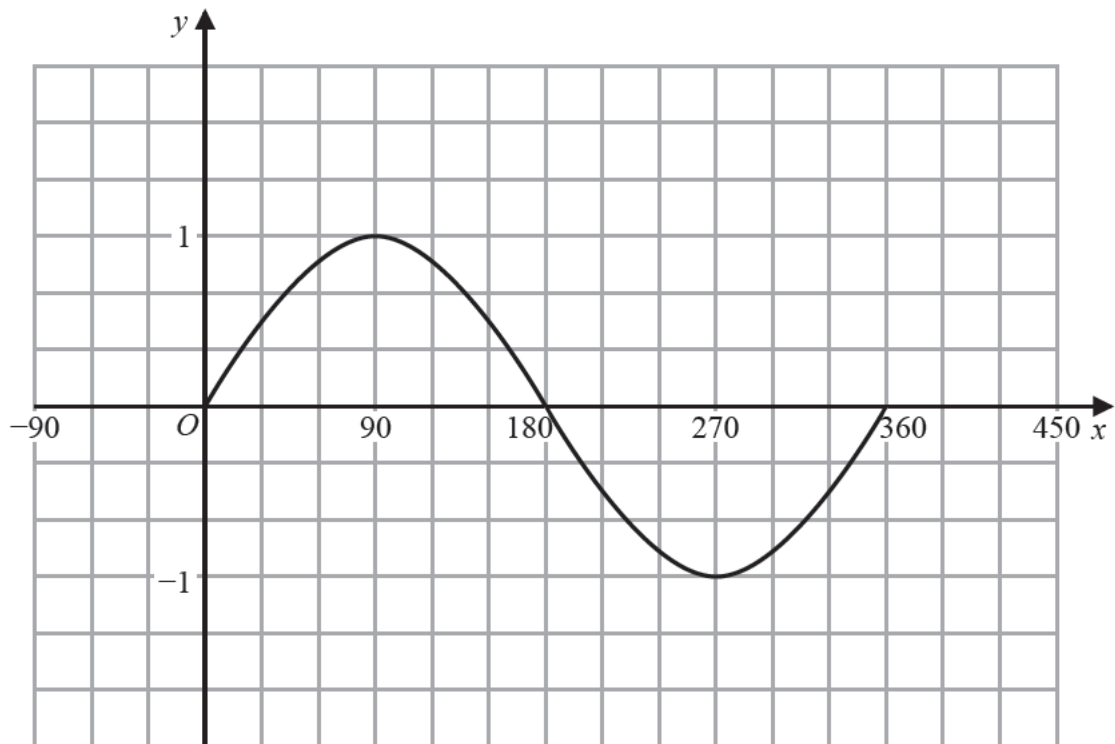
- (b) Work out the upper bound for the value of Q .
 Show your working clearly.
 Give your answer correct to 2 significant figures.

(2)

(Total for Question 17 is 4 marks)



18 Here is the graph of $y = \sin x^\circ$ for $0 \leq x \leq 360$



(a) On the grid above, sketch the graph of $y = \sin(x + 90)^\circ$ for $0 \leq x \leq 360$

(2)

In $0 \leq x \leq 360$, the graph of $y = \sin\left(\frac{x}{2}\right)^\circ + 3$ has a maximum at the point A .

(b) Write down the coordinates of A .

(,)
(2)

(Total for Question 18 is 4 marks)



19 $ABCD$ is a quadrilateral.

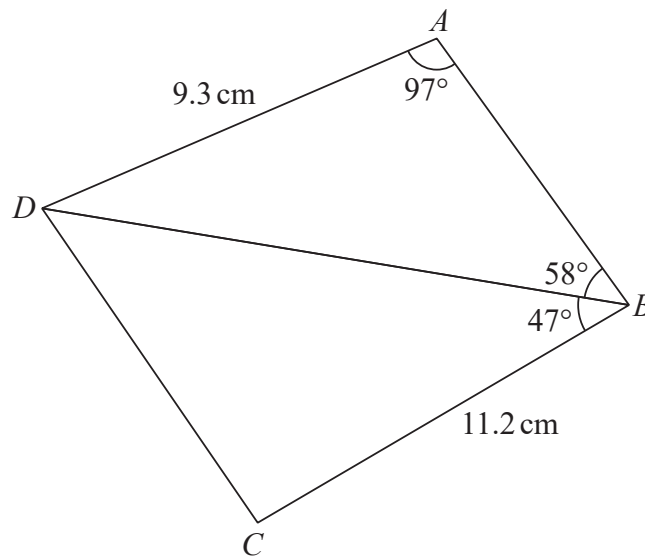


Diagram NOT
accurately drawn

Find the area of quadrilateral $ABCD$.
Give your answer correct to 3 significant figures.

cm^2

(Total for Question 19 is 5 marks)



20 (a) Write $3x^2 - 12x + 7$ in the form $a(x + b)^2 + c$

(3)

The line **L** is the line of symmetry of the curve with equation $y = 3x^2 - 12x + 7$

(b) Using your answer to part (a) or otherwise, write down an equation of **L**.

(1)

(Total for Question 20 is 4 marks)

DO NOT WRITE IN THIS AREA

DO NOT WRITE IN THIS AREA

DO NOT WRITE IN THIS AREA



- 21 The curve with equation $y = (10x - 3)(x + 1)$ and the line with equation $y - 6x = 0$ intersect at the points A and B .

Find the coordinates of the midpoint of AB .
Show your working clearly.

DO NOT WRITE IN THIS AREA

DO NOT WRITE IN THIS AREA

DO NOT WRITE IN THIS AREA

(,)

(Total for Question 21 is 6 marks)



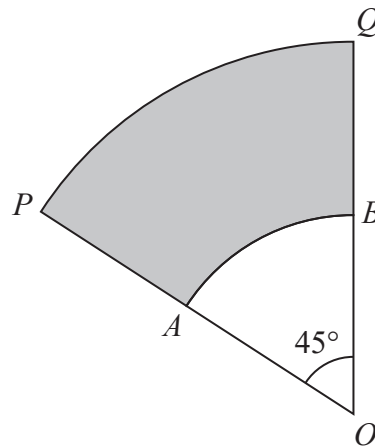


Diagram **NOT**
accurately drawn

OPQ is a sector of a circle, centre O
 OAB is a sector of a circle, centre O

A is the point on OP such that $OA : AP = 3 : 2$

B is the point on OQ such that $OB : BQ = 3 : 2$

Angle $POQ = 45^\circ$

The area of the shaded region is $\frac{81}{2}\pi \text{ cm}^2$

Work out the perimeter of the shaded region.

Give your answer in terms of π .

DO NOT WRITE IN THIS AREA

DO NOT WRITE IN THIS AREA

DO NOT WRITE IN THIS AREA



DO NOT WRITE IN THIS AREA

DO NOT WRITE IN THIS AREA

DO NOT WRITE IN THIS AREA

cm

(Total for Question 22 is 6 marks)

Turn over for Question 23



23 The 10th term of an arithmetic series, S , is 66
The sum of the first 20 terms of S is 1290

Find the 5th term of S .
Show your working clearly.

DO NOT WRITE IN THIS AREA

DO NOT WRITE IN THIS AREA

DO NOT WRITE IN THIS AREA

(Total for Question 23 is 4 marks)

TOTAL FOR PAPER IS 100 MARKS

